

TP164 Pirate Galleon



Instructions for assembly, maintenance and safe use.
Please retain for future reference.



WARNINGS!

THIS PRODUCT CONTAINS SMALL PARTS AND IS NOT SUITABLE FOR CHILDREN UNDER 36 MONTHS. SMALL PARTS ARE A CHOKING HAZARD.

THIS PRODUCT IS INTENDED FOR USE BY CHILDREN AGED 3-10 YEARS.

ONLY FOR DOMESTIC USE. FOR OUTDOOR USE ONLY. TOY MUST BE ASSEMBLED BY AN ADULT BEFORE USE.

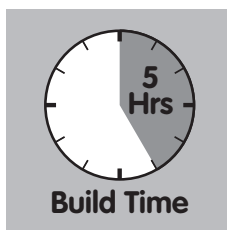
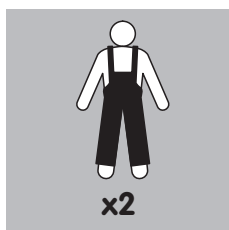
CHILDREN MUST NOT USE THIS PRODUCT UNTIL PROPERLY INSTALLED. ADULT SUPERVISION REQUIRED.

REMOVE ALL PACKAGING BEFORE GIVING TO YOUR CHILDREN.

RETAIN PACKAGING FOR FUTURE REFERENCE.

ANCHORS THAT ARE SUPPLIED WITH THIS PRODUCT MUST BE FITTED BEFORE USE.

WARNING: MAXIMUM COMBINED USER WEIGHT 150KGS



Robovision Ltd t/a TP Toys

Unit 11, Enterprise Way, Flitwick, Bedfordshire, MK45 5BX England

www.tptoys.com

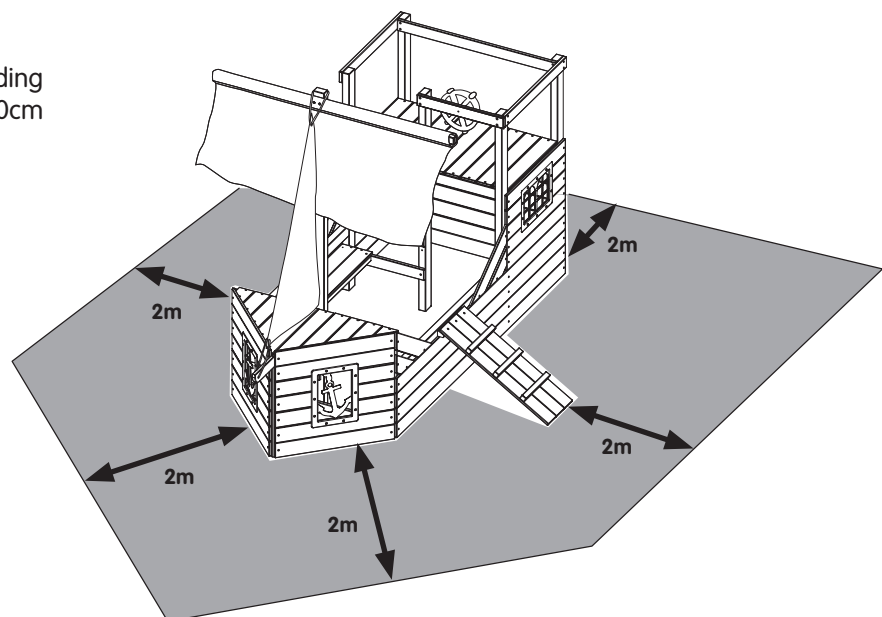
Important advice for assembly, maintenance and safe use

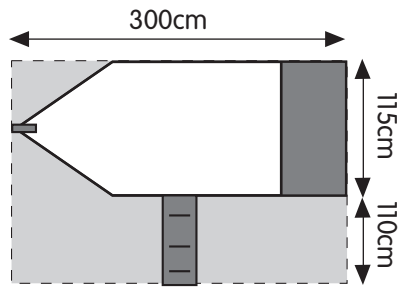
1. Toy must be assembled by an adult before use exactly in accordance with the instructions.
2. Children must not use this product until properly installed.
3. Check all parts are present before you start to assemble the product. Place small parts on a tray or similar to ensure they are not lost. The manufacturing process can very occasionally result in sharp edges/waste material so please take care when assembling this product.
4. If any parts are missing do not use the product until the replacement parts are fitted.
5. Ensure your product is sited on level ground. Failure to do this may put additional stress on connections and joints and in time could cause them to fail.
6. Ensure your product is located on a soft impact surface like grass. Never locate your product on a hard surfaces like concrete.
7. Anchors supplied with this product must be fitted before use.
8. In freezing weather, detachable plastic parts should be stored inside.
9. Avoid locating this product in full sun.
10. Remove all packaging before giving to your children or allowing them to play with this product.
11. Equipment should be checked by an adult at the beginning of each season and at regular intervals during the usage season to ensure it is safe. Pay special attention to all connections and fastenings .
12. Parts may need to be replaced if they show signs of wear and tear. Replace any defective parts in accordance with these instructions.
13. Any changes to this toy including changing or adding an accessory, must be done in accordance with our instructions. Failure to do this will render your guarantee null and void and may make your product unsafe.
14. Ensure children's clothing is appropriate for the play activity.
15. Never place toys near a fire.
16. Take care in wet weather. Toys can become slippery.
17. In high winds, ensure outdoor toys are moved to a sheltered position and/or securely staked down.
18. The age recommendation for this product is clearly stated on the packaging and in these instructions. Please adhere to it at all times. Adult supervision is required at all times to ensure children play safely.
19. When you dispose of this equipment please do so responsibly.

Safe play free space area

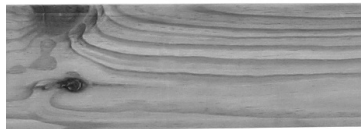
The safe play area refers to the zone extending 200cm around the toys on all sides and 250cm above the toy.

The safe play area must be free from all obstacles.





Height to front platform: 68cm
 Height to rear platform: 88cm
 Height to rear guardrail: 140cm
 Maximum height of this set: 206cm



Know About Wood

Unlike steel, wood is a natural, organic material and each piece will be unique, bearing its own knots, cracks and variations in colour and, unlike steel, wood will react significantly to changes in atmospheric conditions.

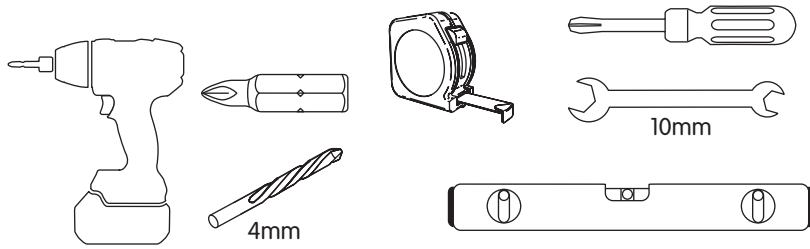
Wood will expand and contract as fluctuations of temperature and humidity affect the water content of the cell structure. In warm sunny weather it will shrink and in wet weather it will expand. As these physical changes do not, necessarily, take place uniformly throughout a piece of wood, forces are set up which cause cracks and splits to arise.

It is not necessary to stain your Wooden frame.

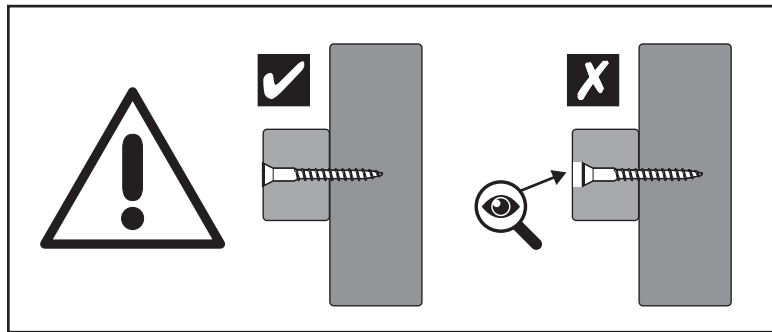
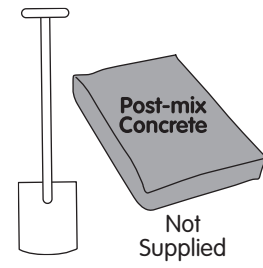
It is made from selected wood which has been pressure treated. This is a process by which preservatives are forced under pressure into the fabric of the timber to protect it from decay and insect damage.

If you do wish to stain your Wooden frame for aesthetic reasons, please use a water-based stain, which is available from any good DIY store.

Tools - You will need:

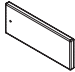
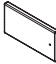
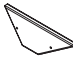





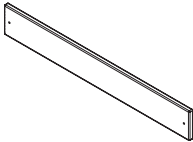




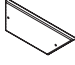
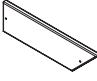



Also Required:

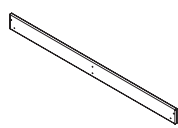


Contents - Please check

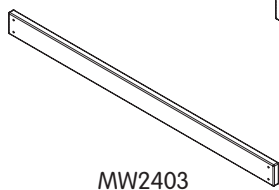
Pack - 1

 MW2406 245mm x12	 MW2410 193mm x8	 MW2420 264mm x4	 MW2424 288mm x3	 MW2423 285mm x1	 MW2425 146mm x1	 MW2416 350mm x1	 MW2413 511mm x5
 MW2402 694mm x14	 MW2414 590mm x10	 MW2430 455mm x2	 MW2419 520mm x4	 MW2427 152mm x2	 MW2428 255mm x2	 MW2429 355mm x2	 MW2431 551mm x2

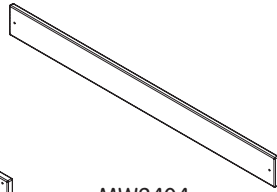
Pack - 2



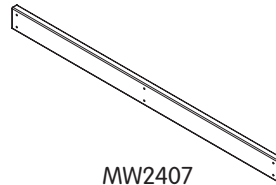
MW2418
1240mm
x2



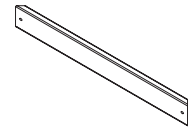
MW2403
994mm
x2



MW2404
994mm
x8

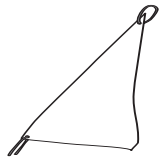


MW2407
1000mm
x3

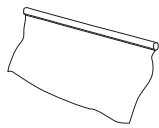


MW2415
644mm
x2

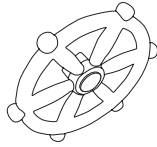
SP3010



FB3035
Spinika Sail
x1



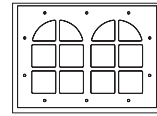
FB3033
Half Main Sail
x1



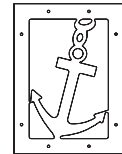
PM2089
Ship Wheel
x1



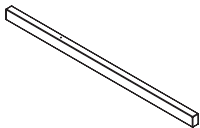
PM2001
Ground Peg
x2



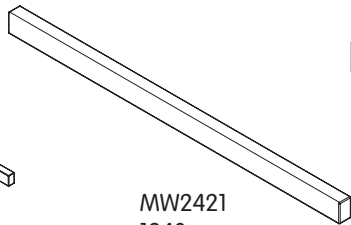
PM2085
Cabin Window
x2



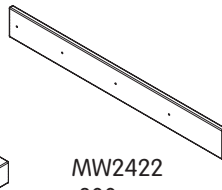
PM2086
Anchor Window
x2



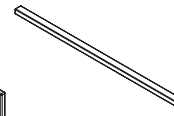
MW2400
1397mm
x5



MW2421
1240mm
x2



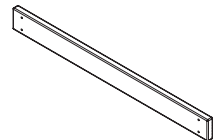
MW2422
800mm
x3



MW2426
1200mm
x1



MW2408
542mm
x1

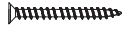


MW2409
730mm
x2

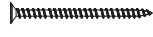
SP0164



FA8274
5x15mm
x40



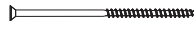
FA9767
5x40mm
x205



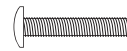
FA9768
5x60mm
x16



FA4521
5x80mm
x2



FA9784
6x150mm
x5



FA5167
M6x60
x1

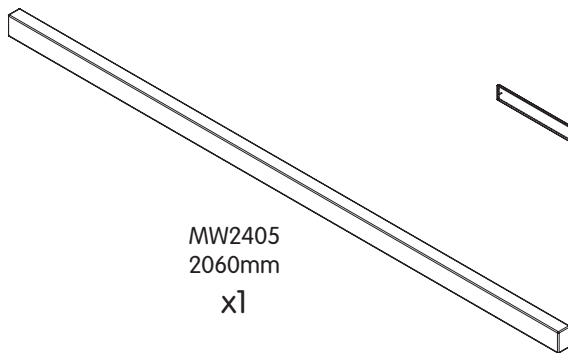


FA5095
M6x20mm
x1

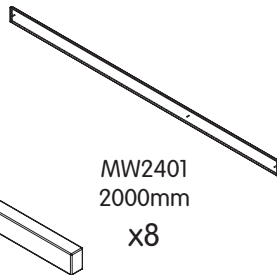


FA5192
M6 Dome Nut
x1

Pack - 3



MW2405
2060mm
x1



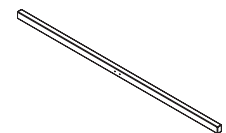
MW2401
2000mm
x8



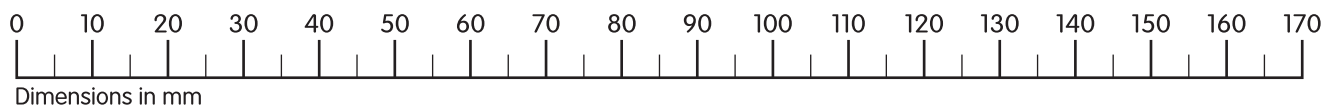
MW2411
650mm
x2



MW2412
581mm
x1

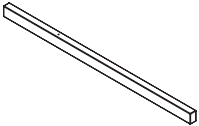
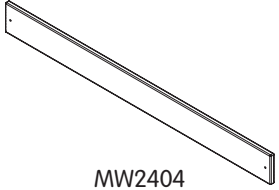



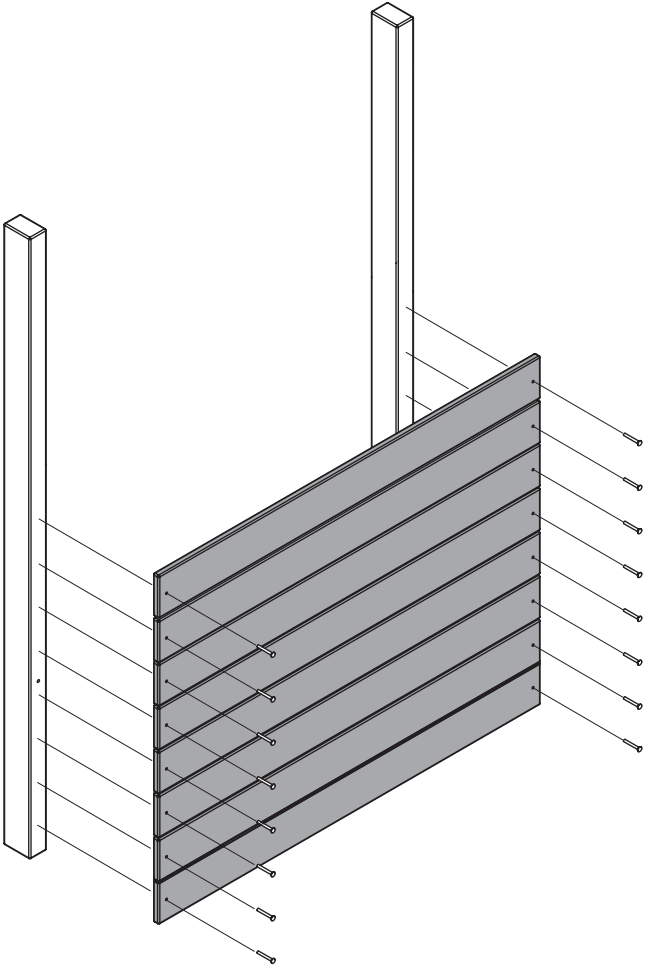
MW2417
1500mm
x1



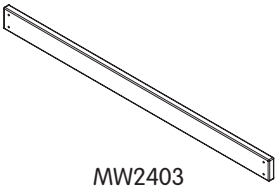

Dimensions in mm

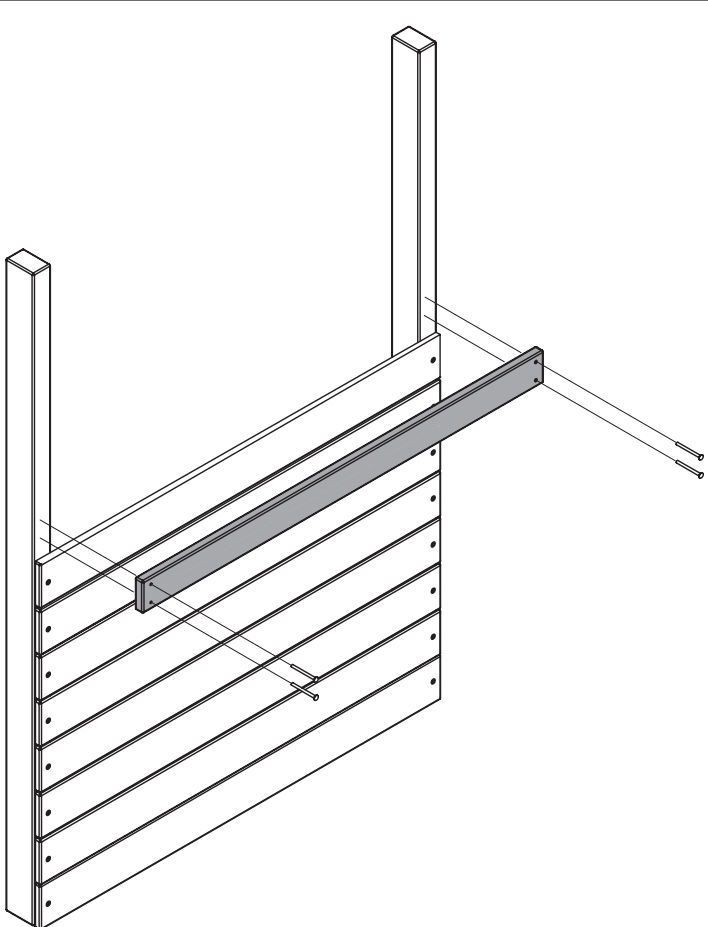
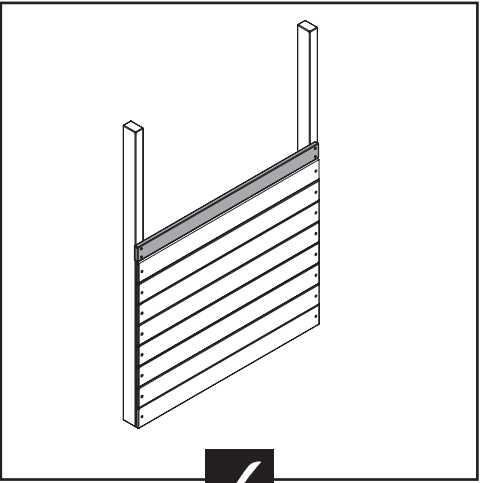
1

- 
MW2400
x2
- 
MW2404
x8
- 
FA9767
5x40mm
x16



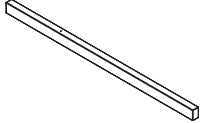

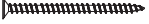
2

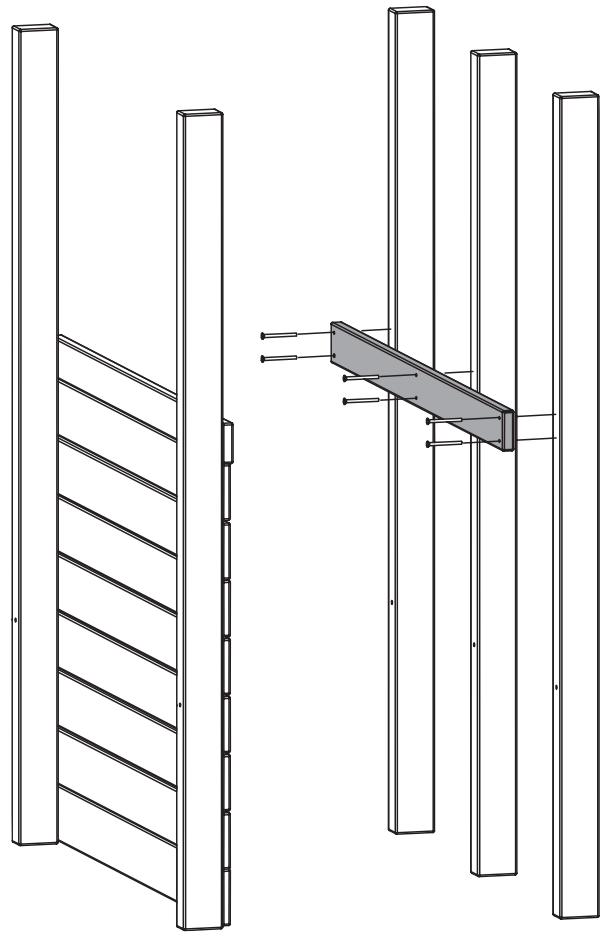
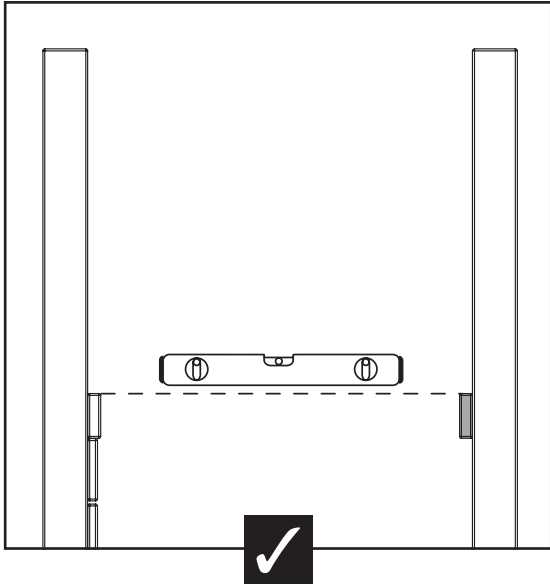
- 
MW2403
x1
- 
FA9768
5x60mm
x4





6

3

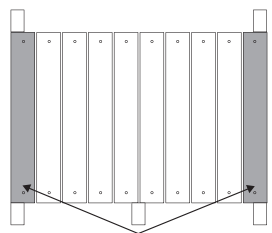
		
MW2400 1397mm x3	MW2407 1000mm x1	FA9768 5x60mm x6



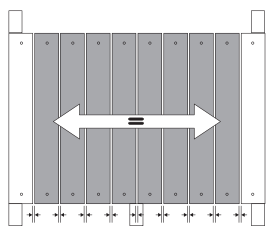
4

	
MW2414 x10	FA9767 5x40mm x20

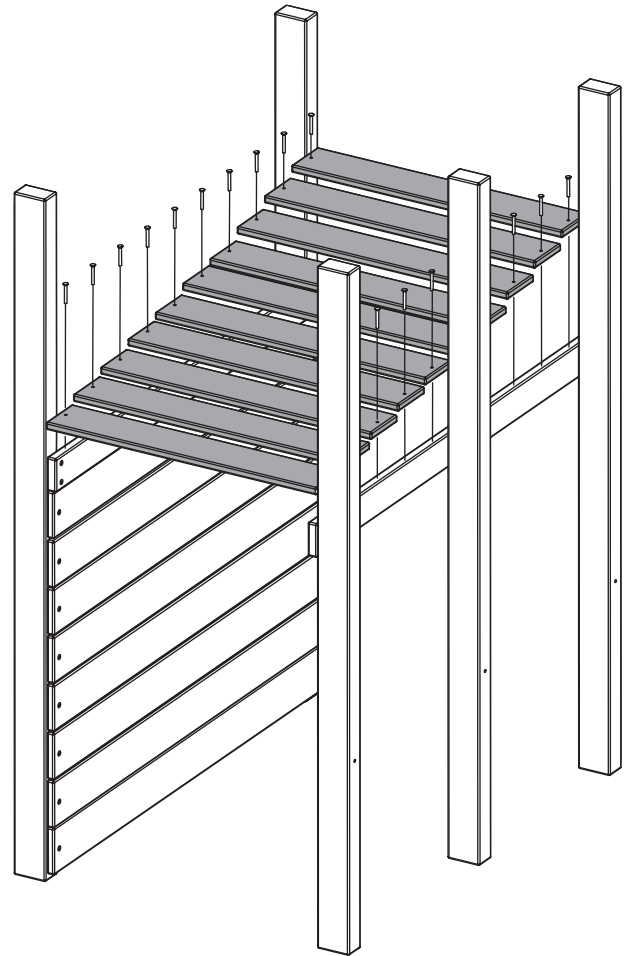
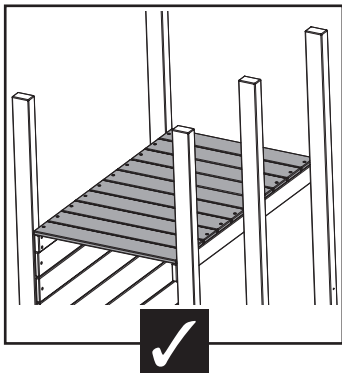
Assembly Tip



Fix end boards first

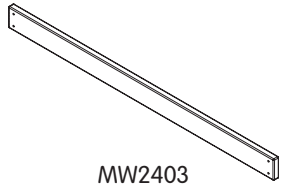


Space boards evenly



7

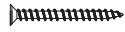
5



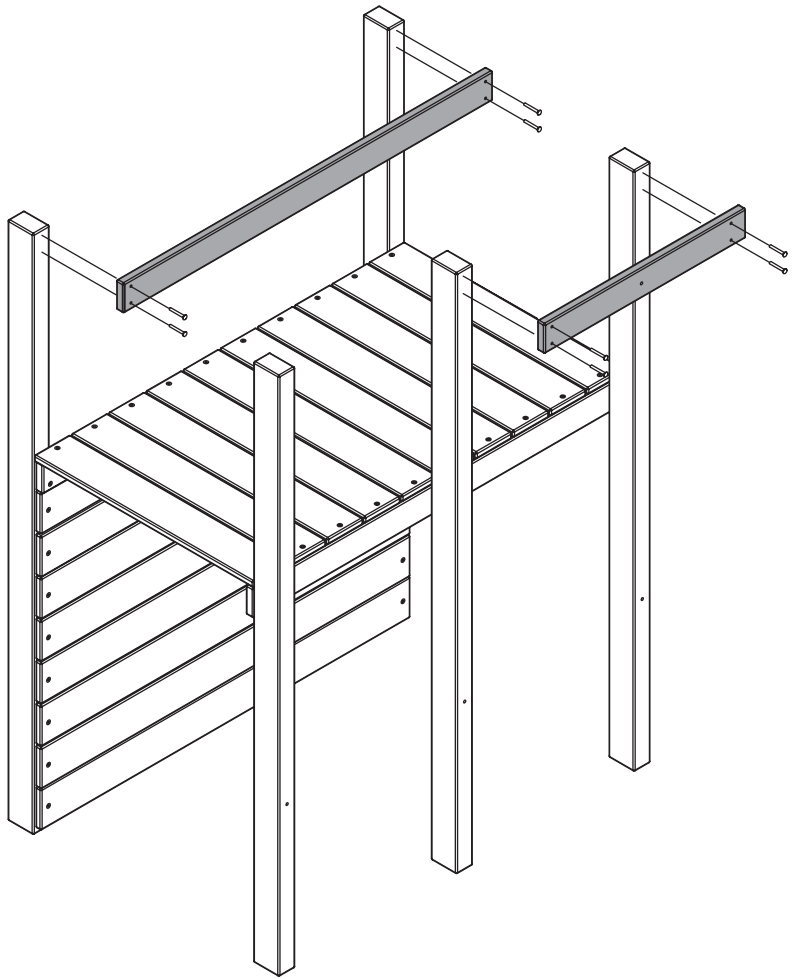
MW2403
x1



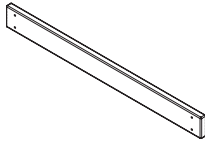
MW2408
x1



FA9767
5x40mm
x8



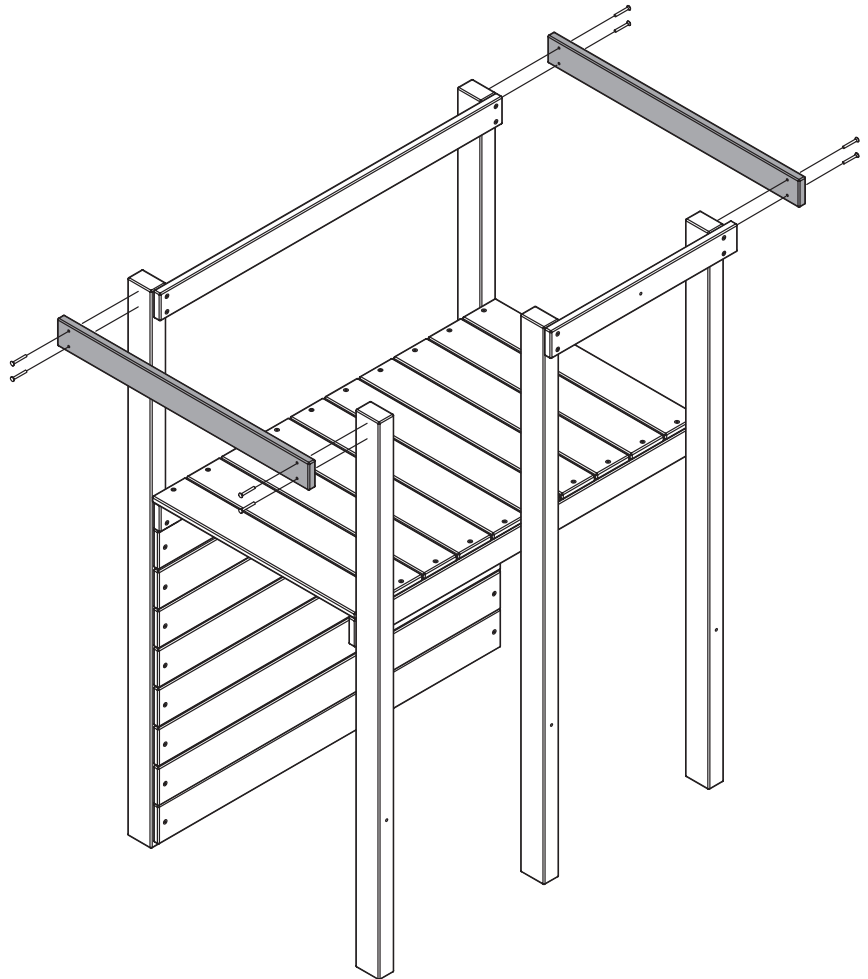
6



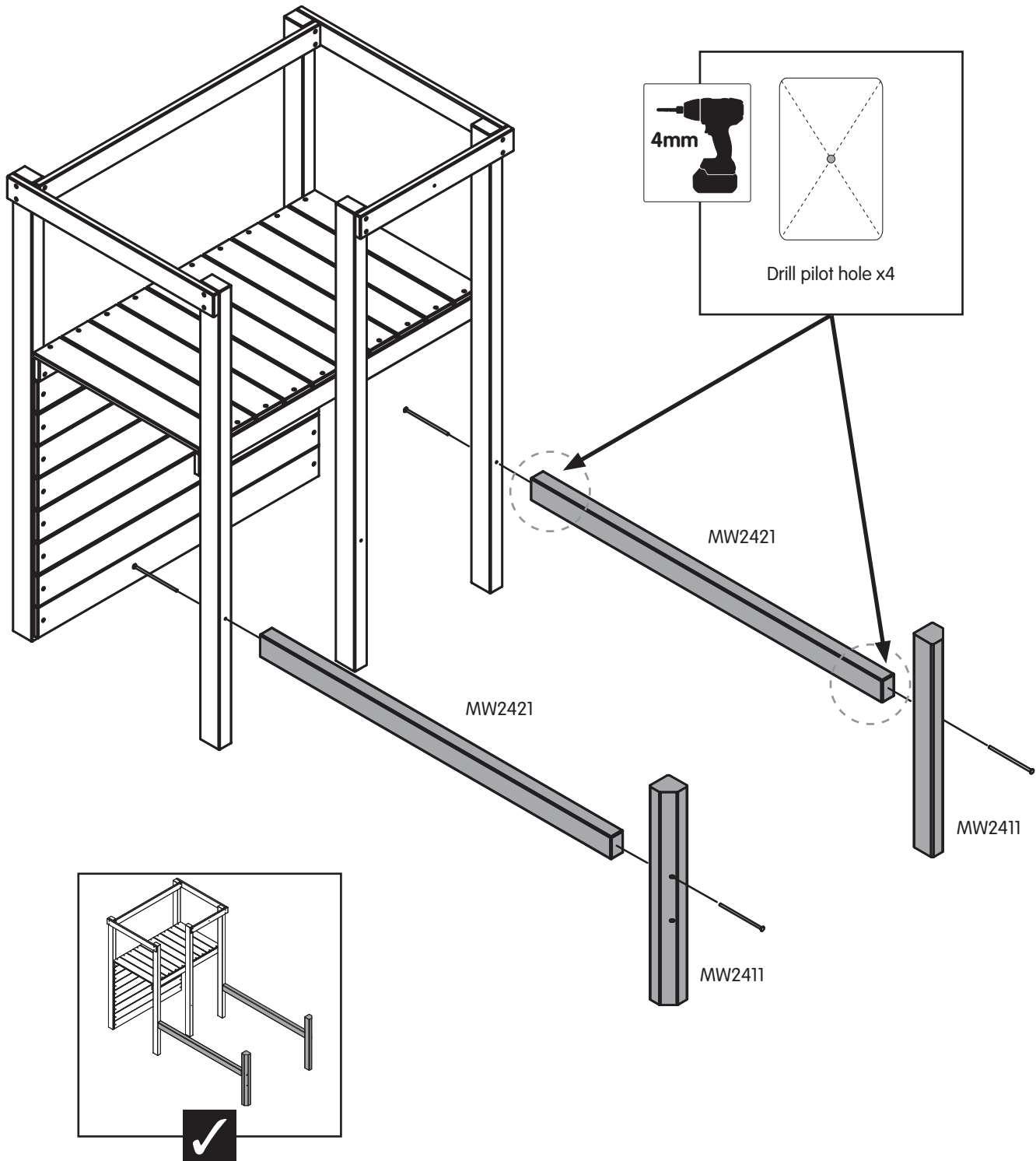
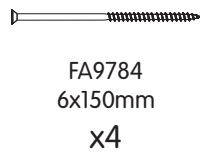
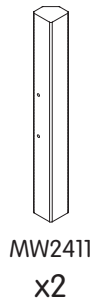
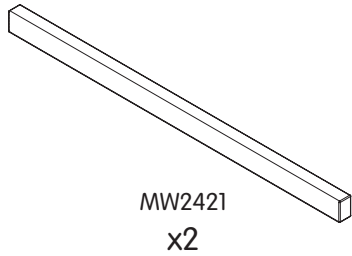
MW2409
x2



FA9767
5x40mm
x8

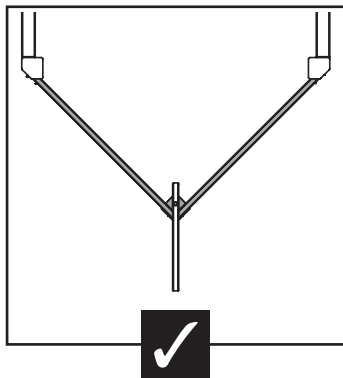
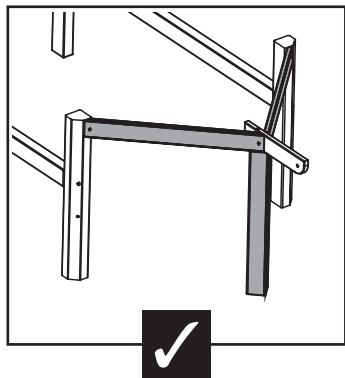
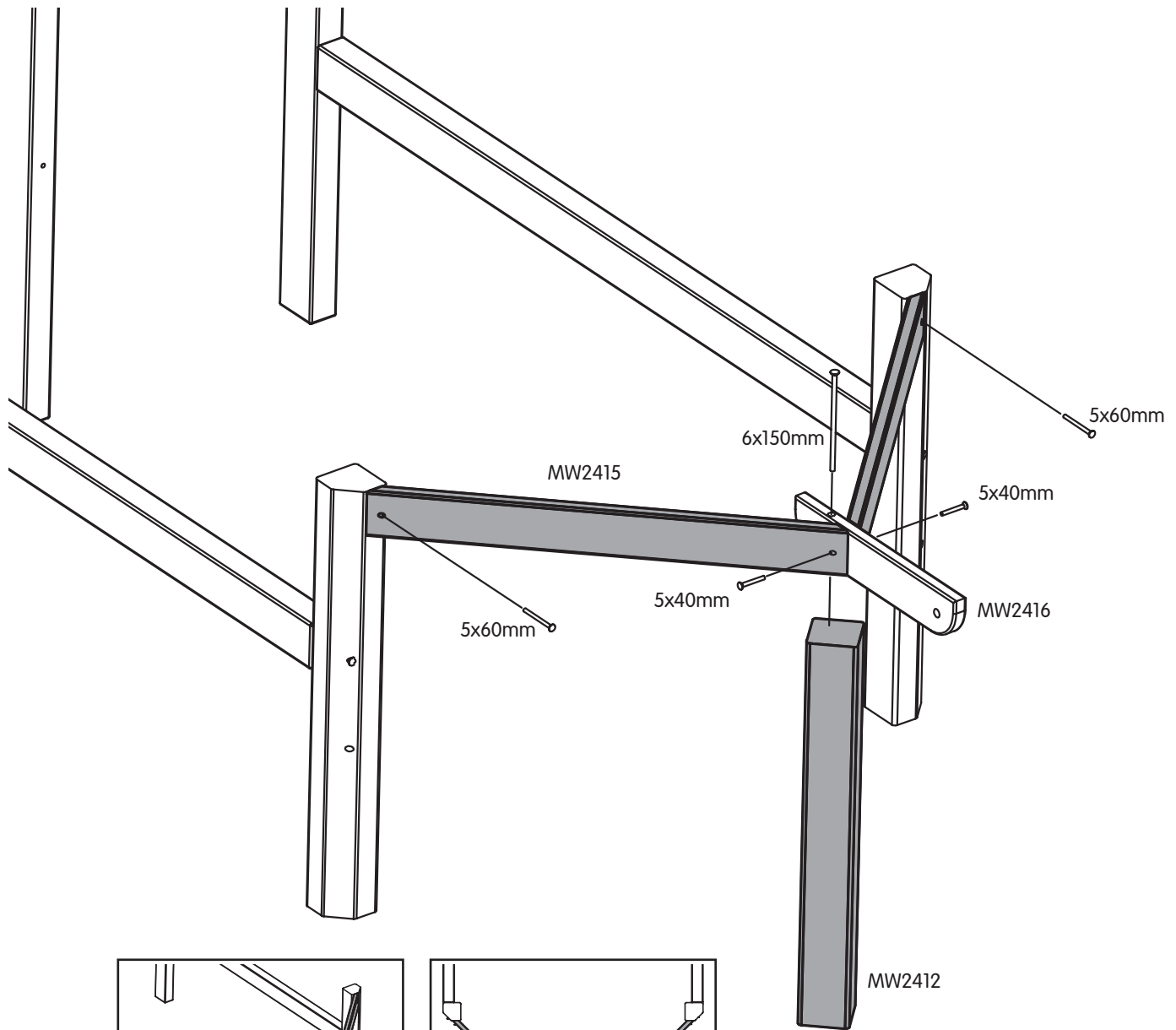
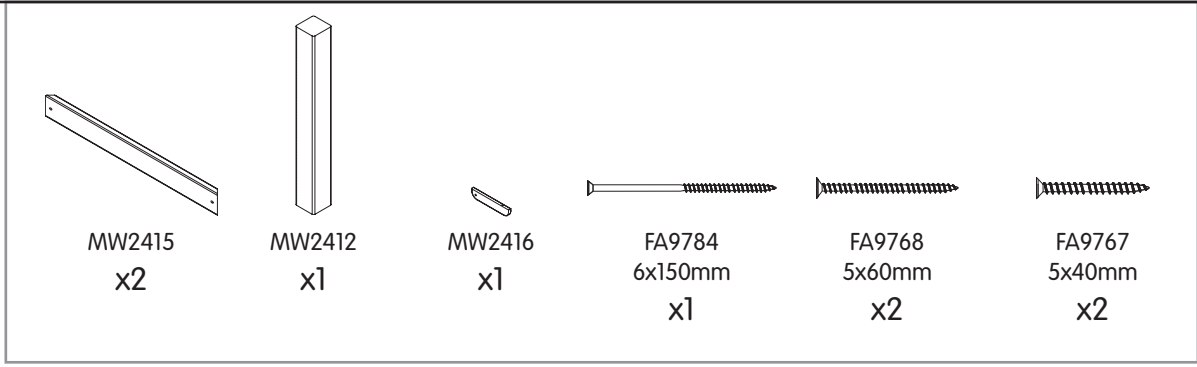


7



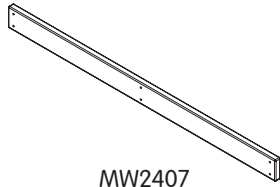
9

8

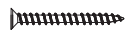


10

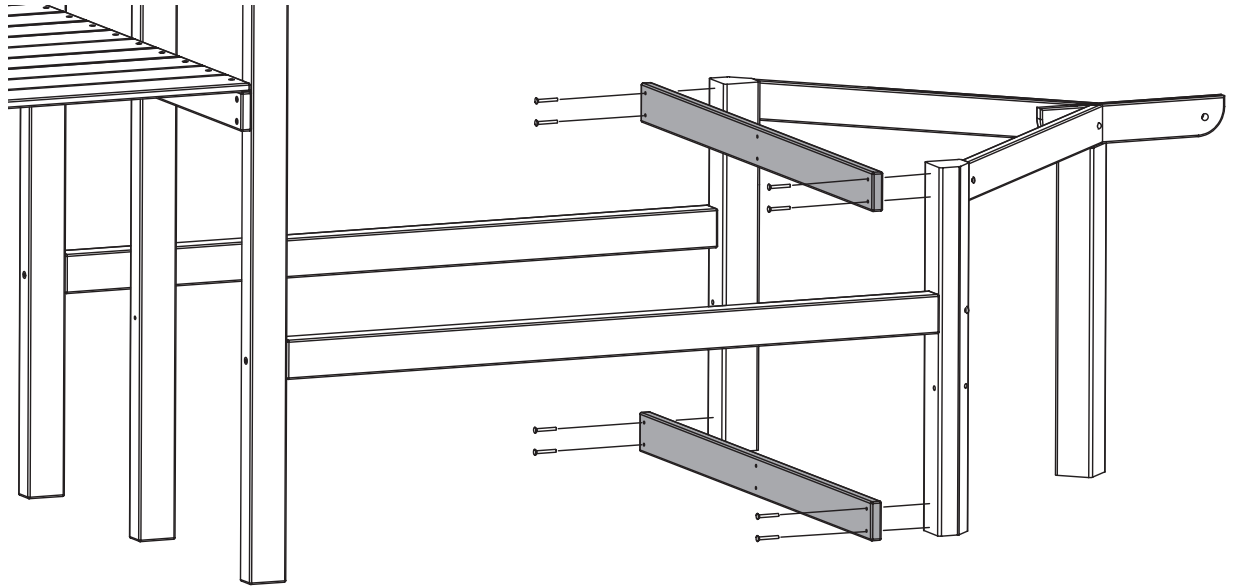
9



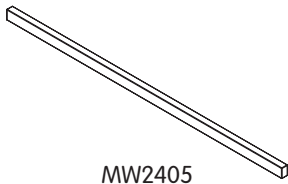
MW2407
x2



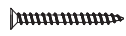
FA9767
5x40mm
x8



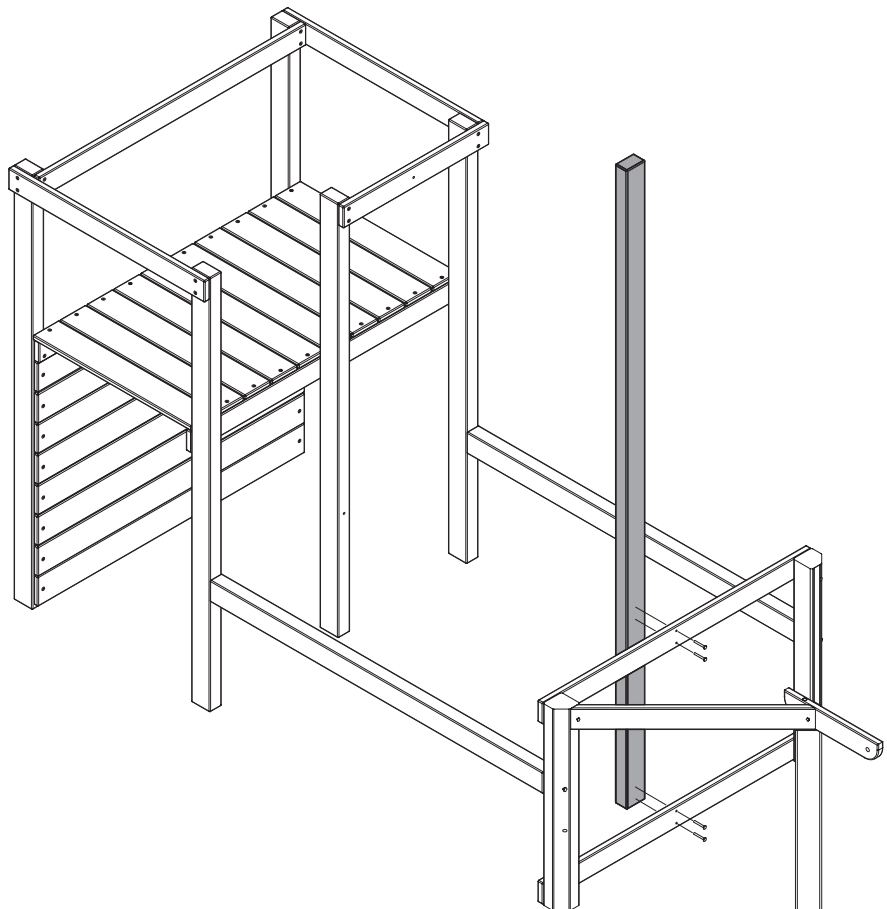
10



MW2405
x1



FA9767
5x40mm
x4



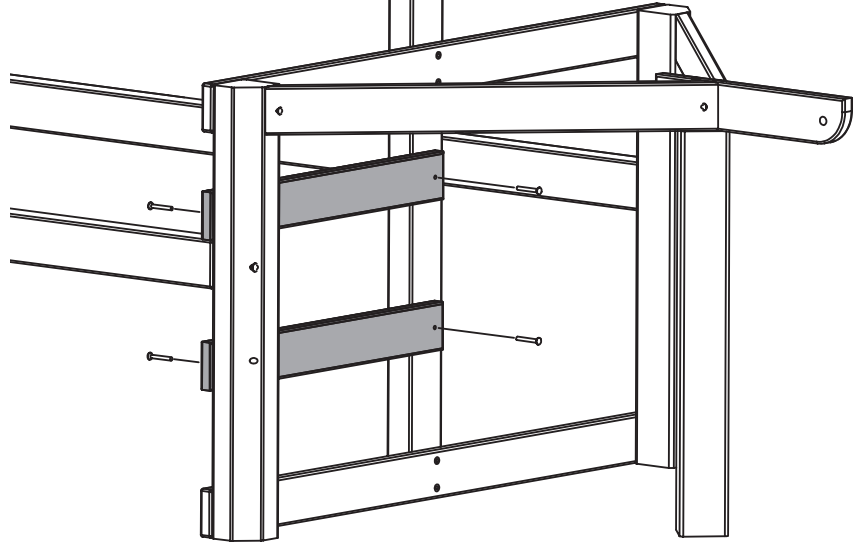
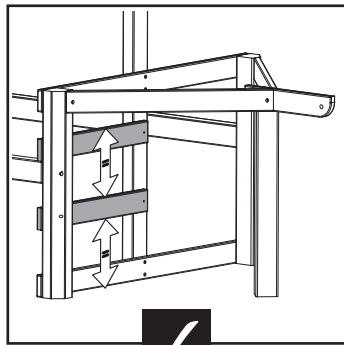
11

11

MW2413
x2



FA9767
5x40mm
x4

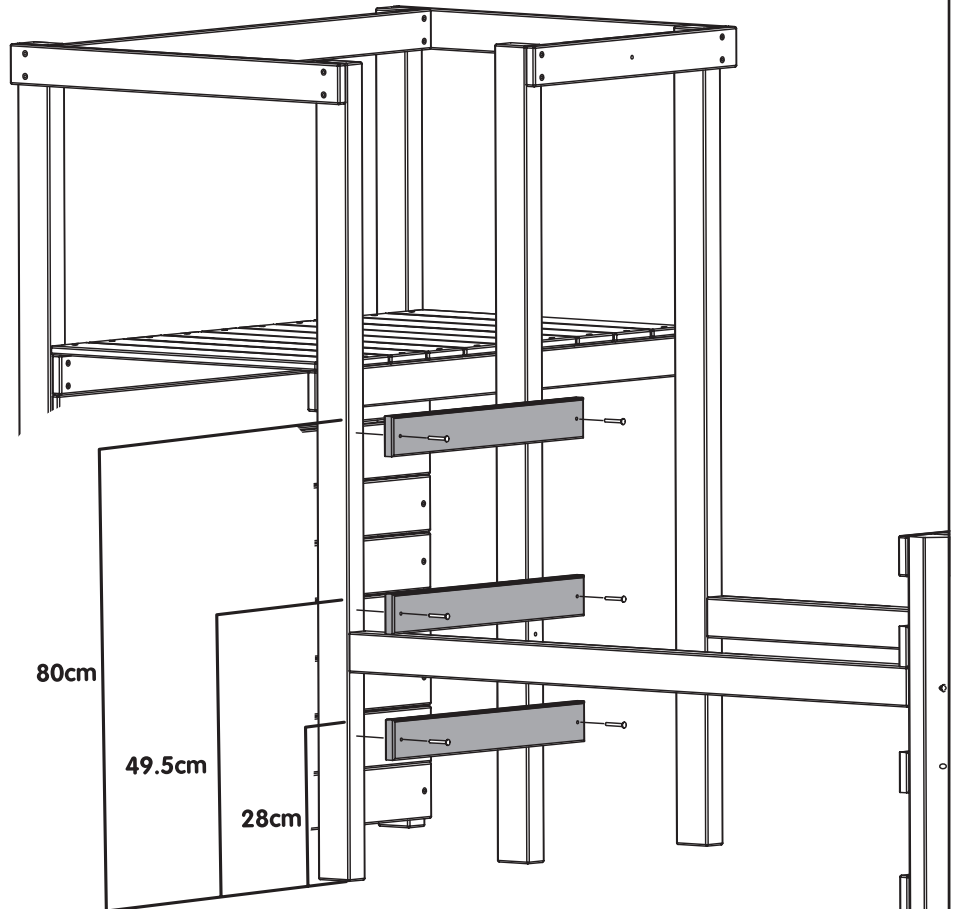


12

MW2413
x3



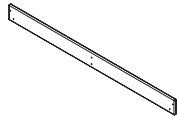
FA9767
5x40mm
x6



12

Pirate Galleon

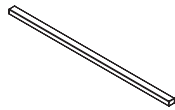
13



MW2418
x2



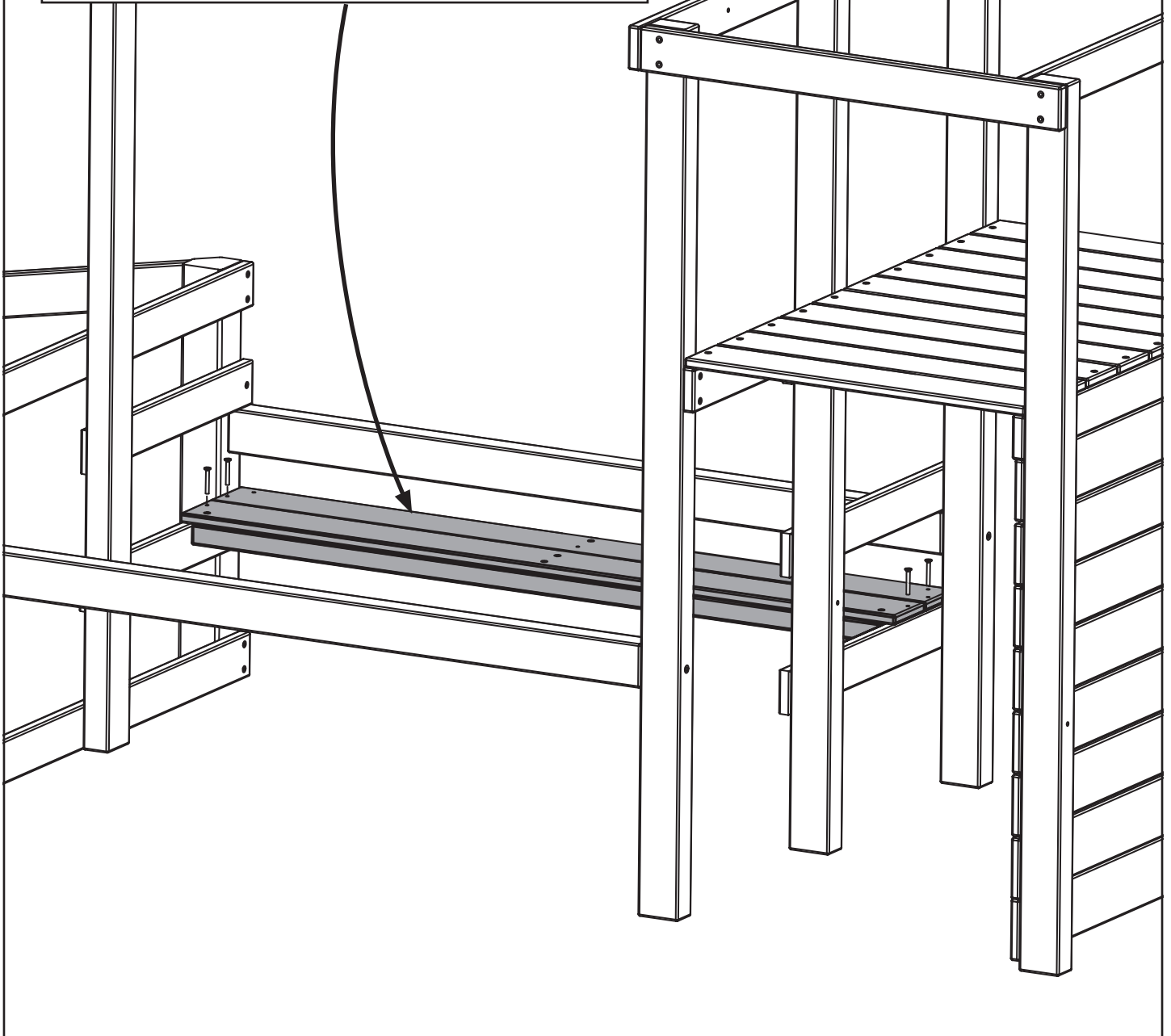
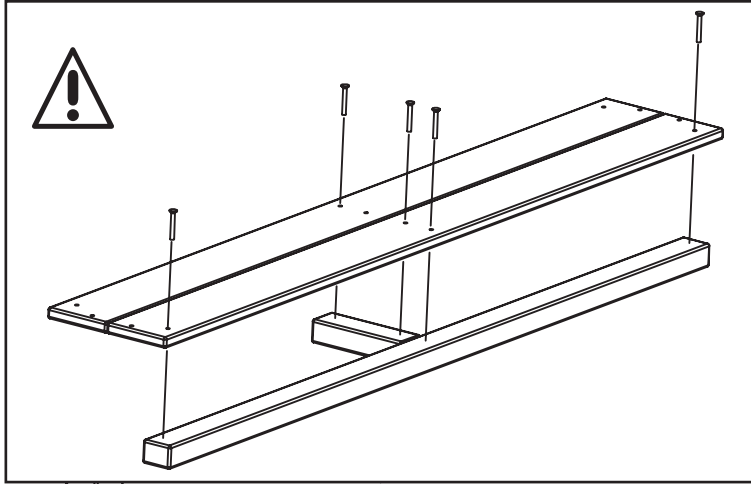
MW2425
x1



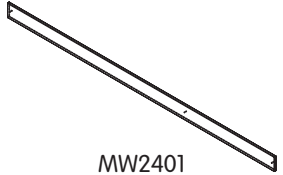
MW2426
x1



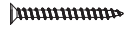
FA9767
5x40mm
x9



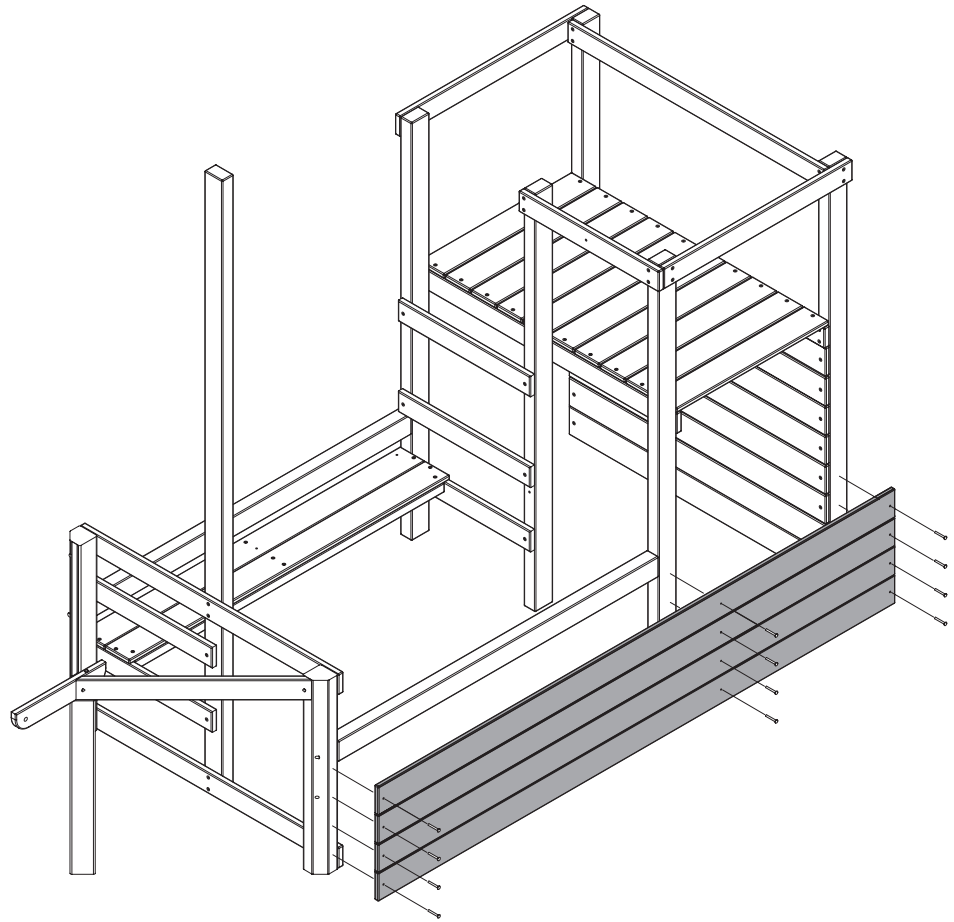
14



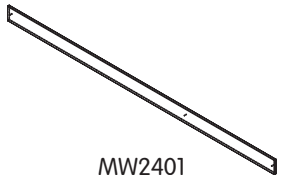
MW2401
2000mm
x4



FA9767
5x40mm
x12



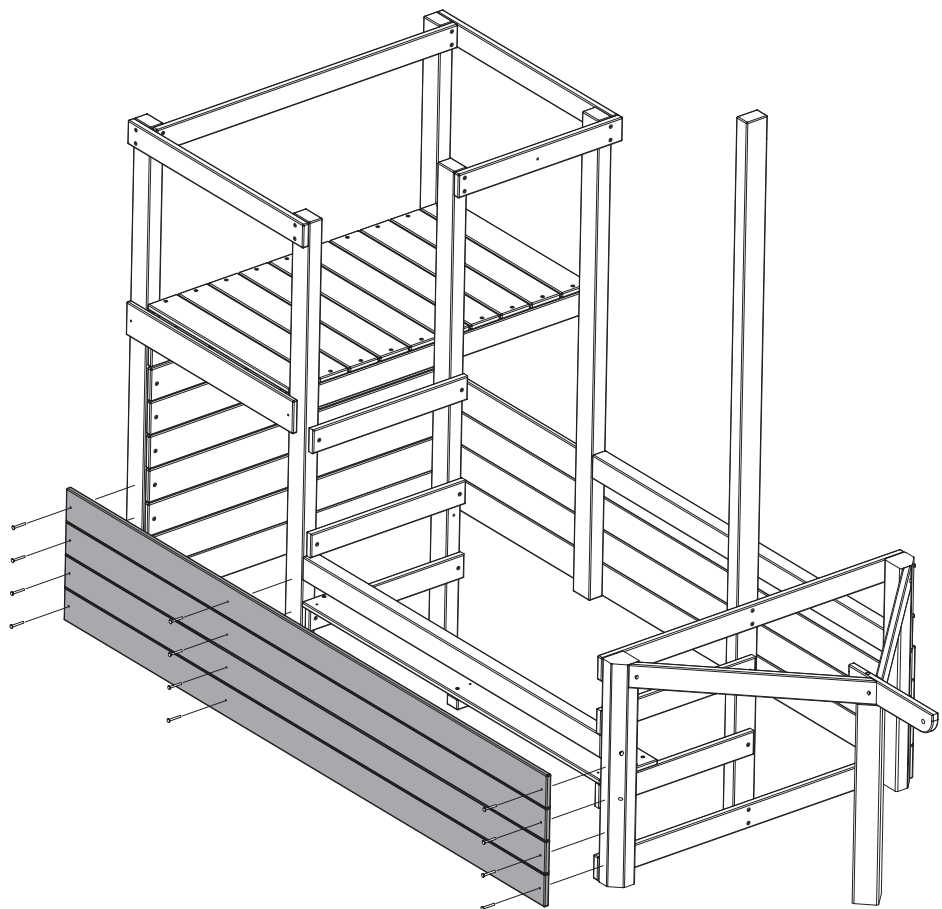
15

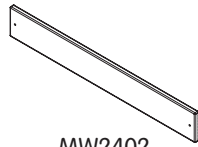


MW2401
2000mm
x4



FA9767
5x40mm
x12

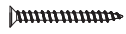




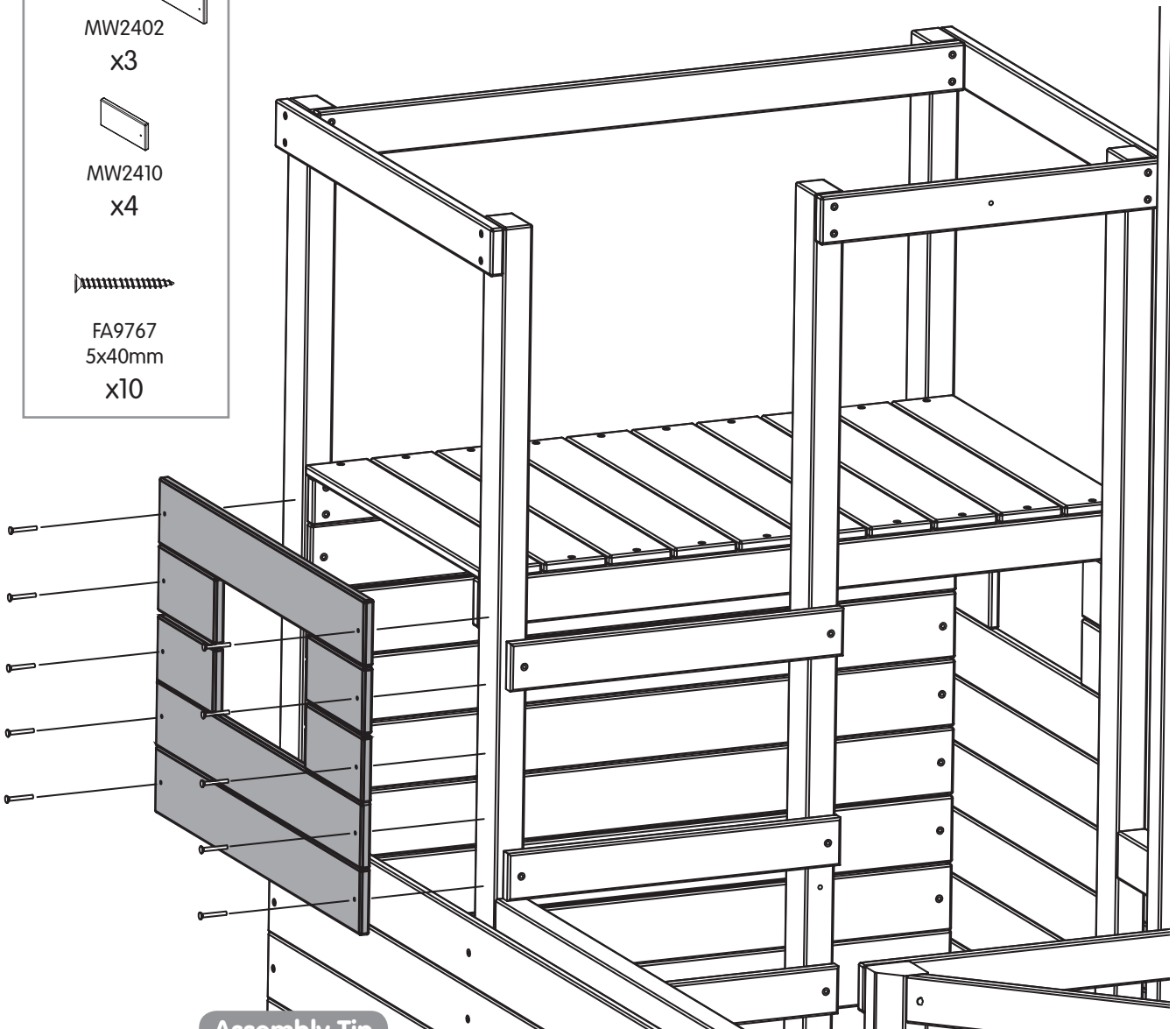
MW2402
x3



MW2410
x4



FA9767
5x40mm
x10



Assembly Tip

1

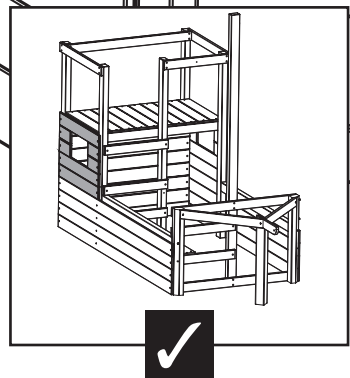
Cabin Window

Fix MW2402 boards first.
Use window for spacing.

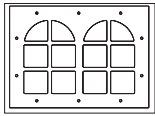
2

Equal spacing

Space MW2410 boards with
equal gaps.
Use window for spacing.



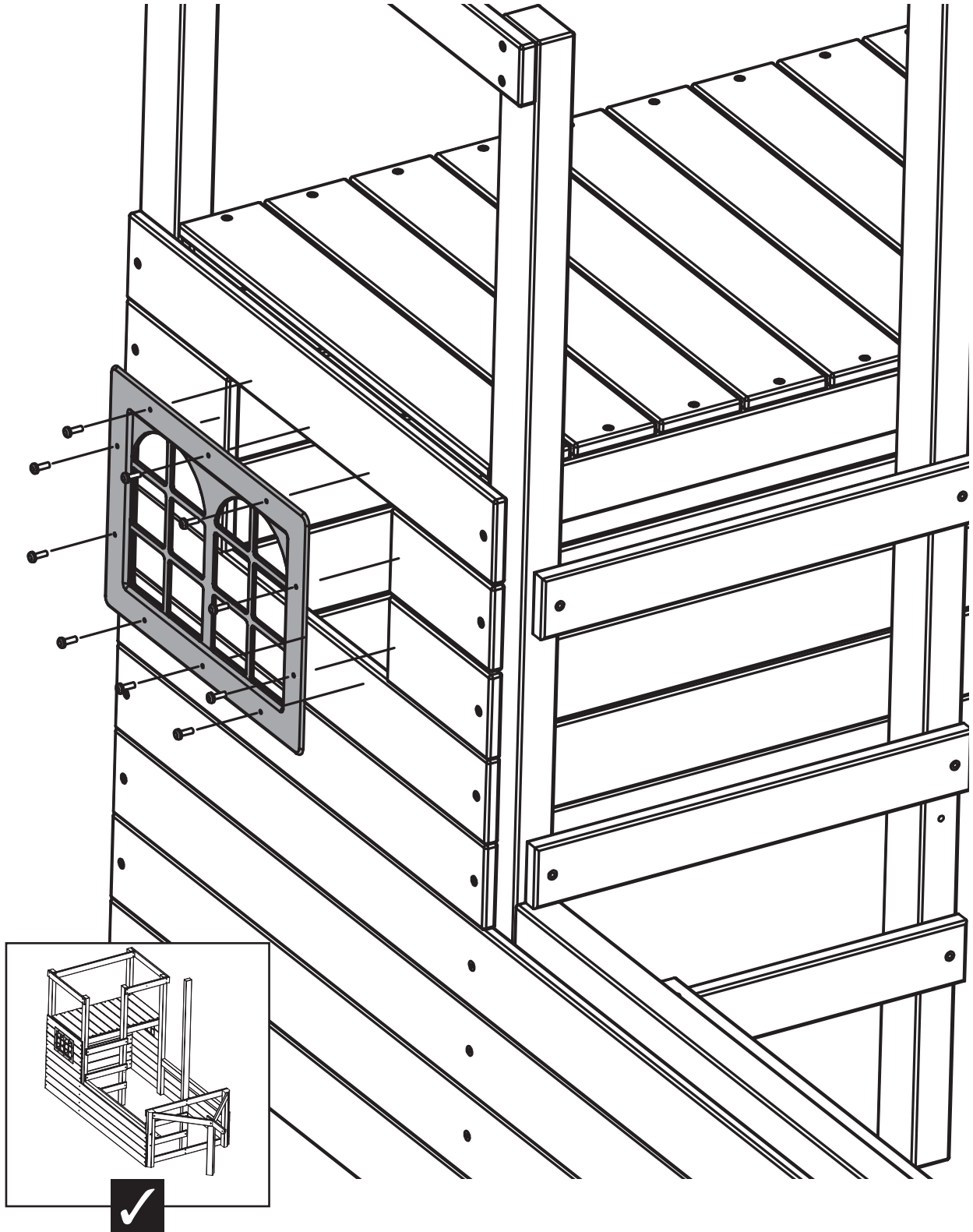
17

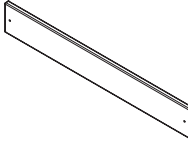
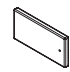



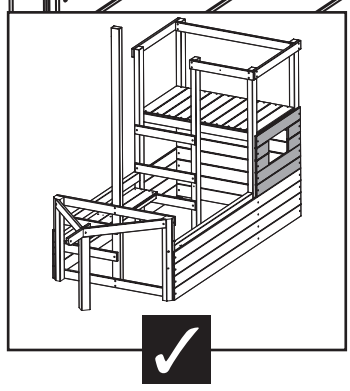
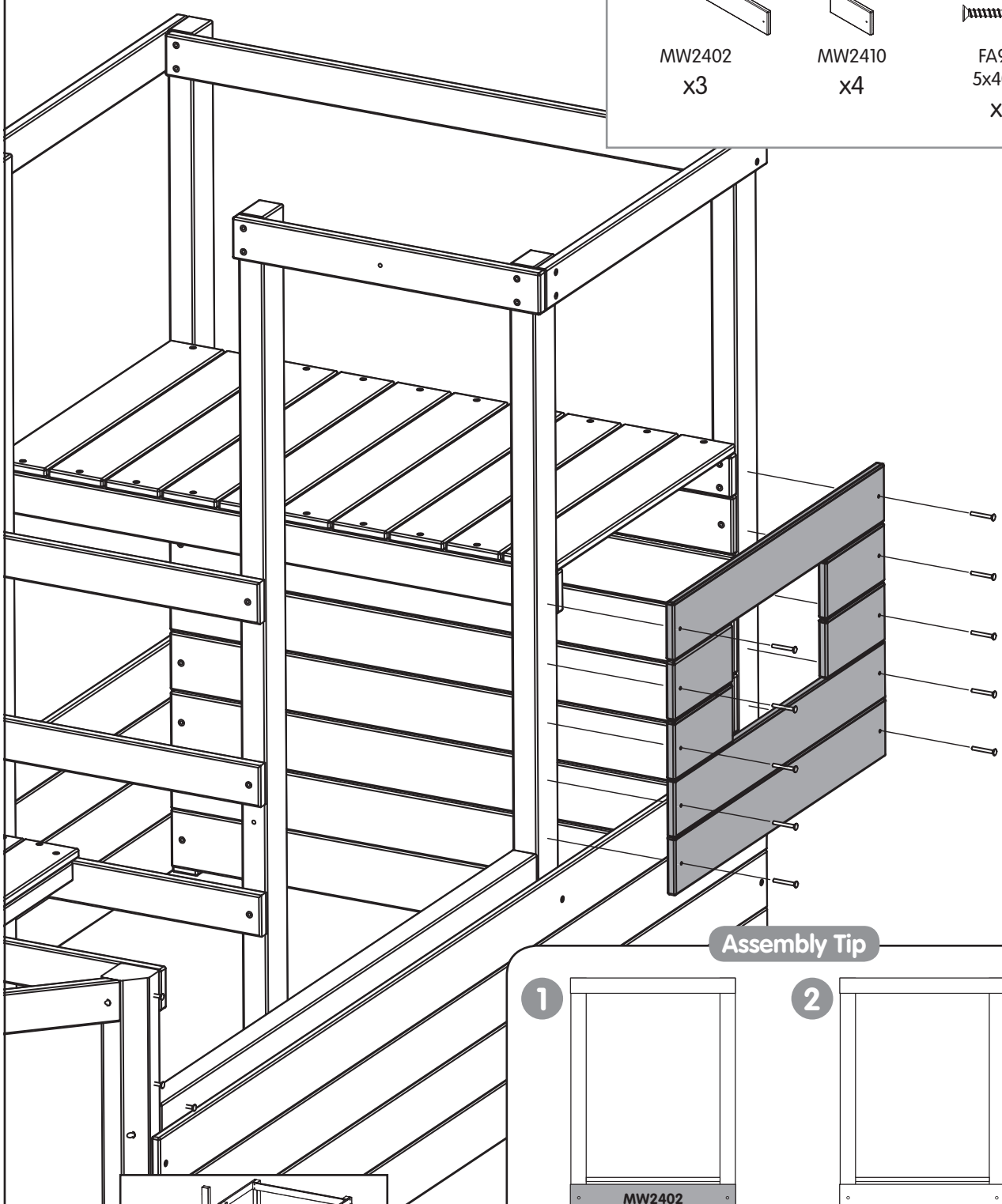
PM2085
Cabin Window
x1



FA8274
5x15mm
x10

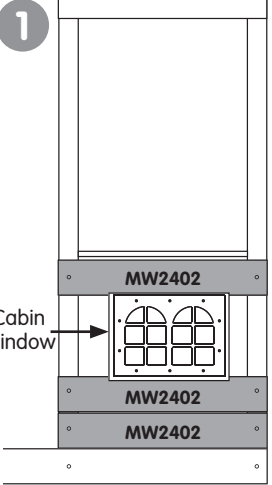


- 
 MW2402
 x3
- 
 MW2410
 x4
- 
 FA9767
 5x40mm
 x10



Assembly Tip

1



Cabin Window

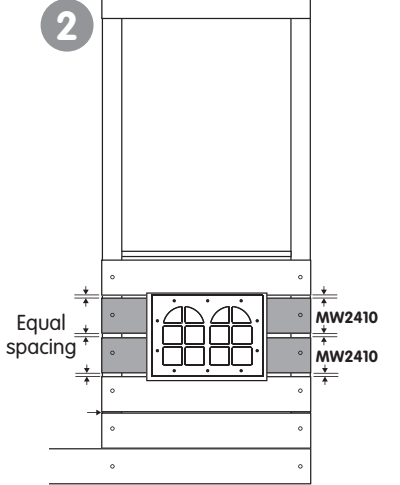
MW2402

MW2402

MW2402

Fix MW2402 boards first. Use window for spacing.

2



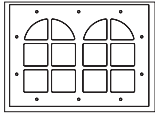
Equal spacing

MW2410

MW2410

Space MW 2410 boards with equal gaps. Use window for spacing.

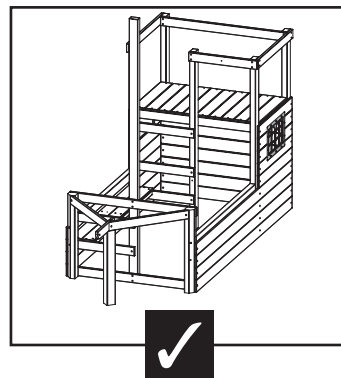
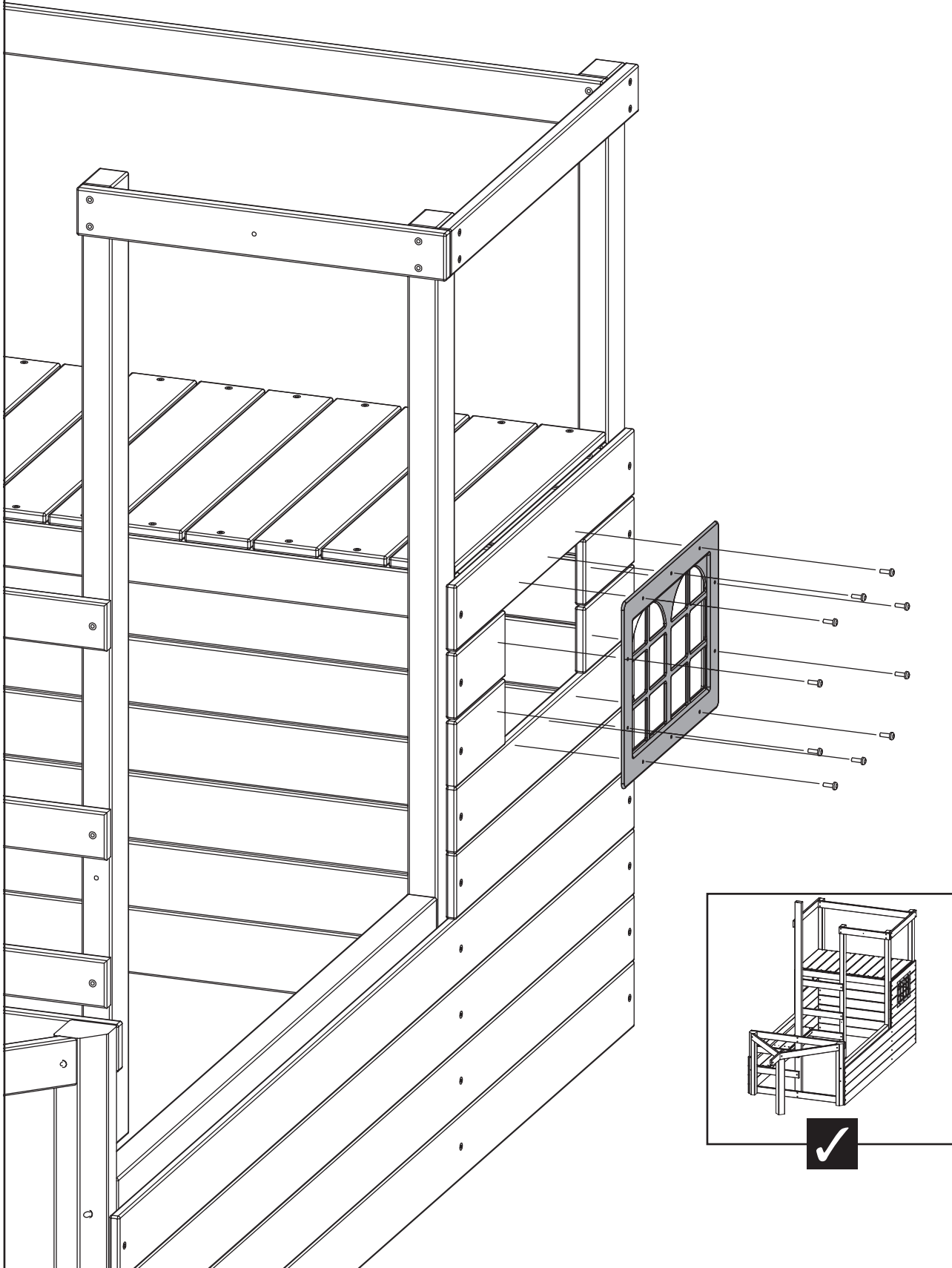
19



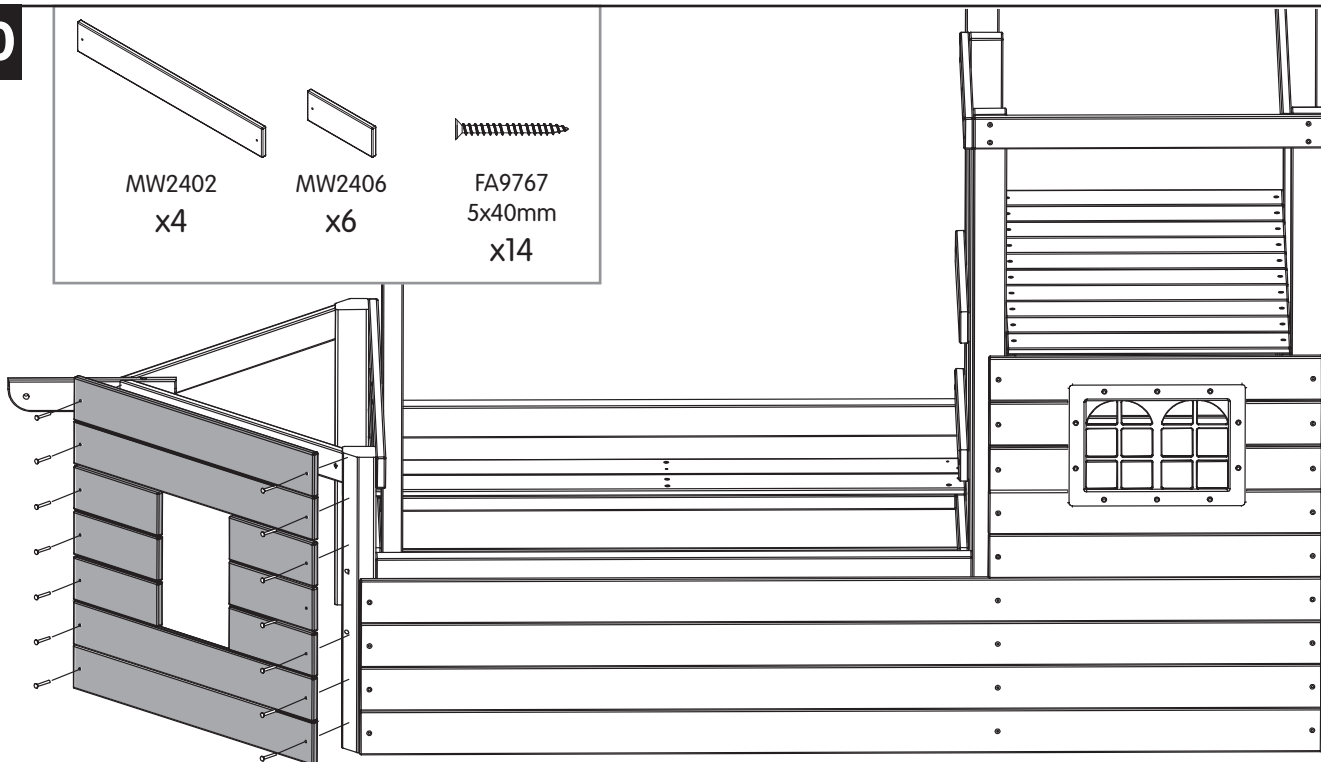
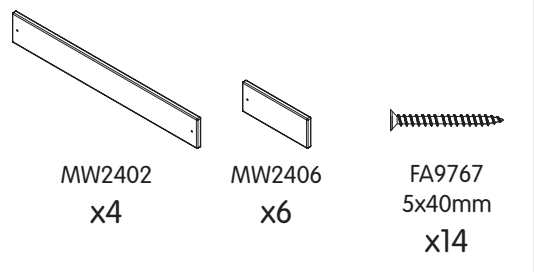
PM2085
Cabin Window
x1



FA8274
5x15mm
x10

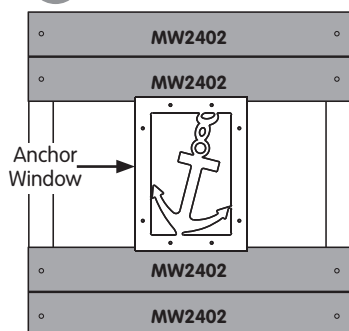


20



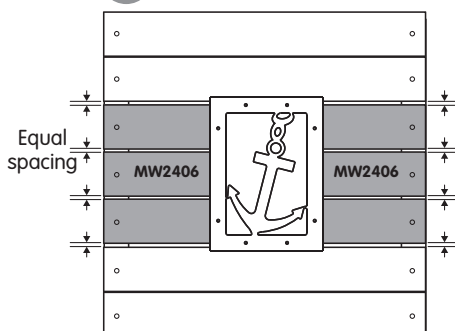
Assembly Tip

1

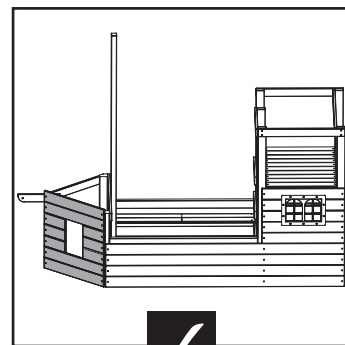


Fix MW2402 boards first.
Use window for spacing.

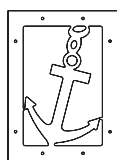
2



Space MW2406 boards
with equal gaps.
Use window for spacing.



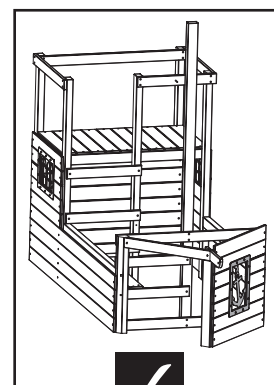
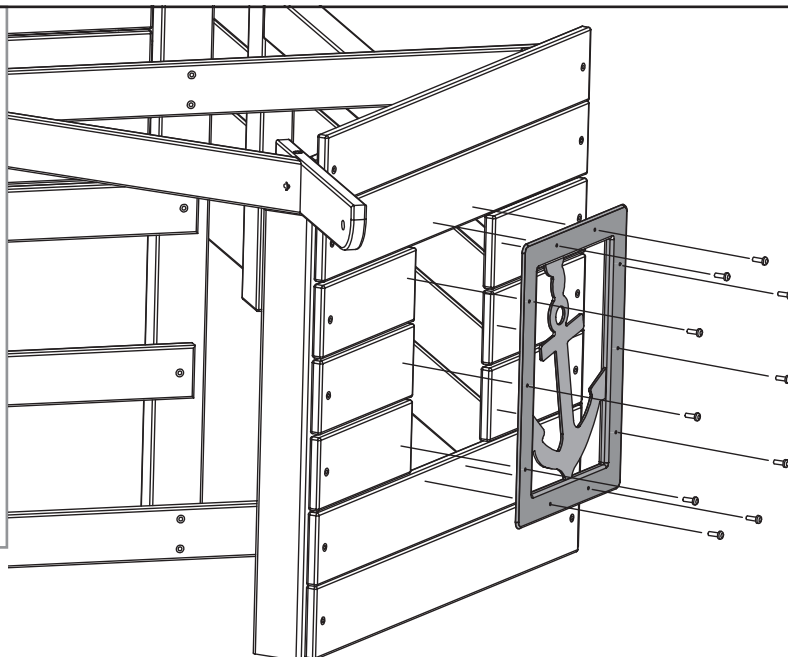
21



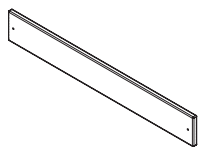
PM2086
Anchor Window
x1



FA8274
5x15mm
x10



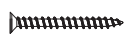
22



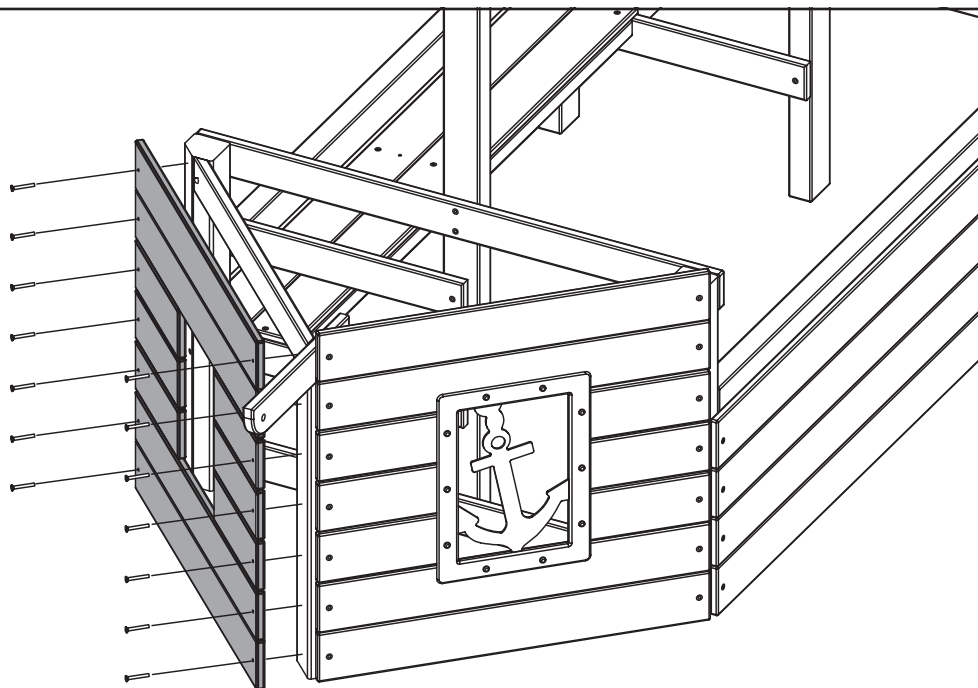
MW2402
x4



MW2406
x6

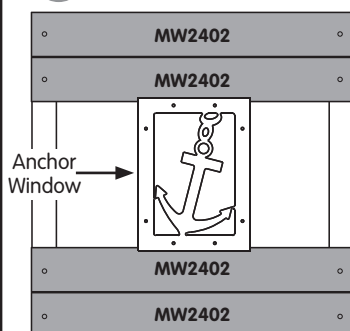


FA9767
5x40mm
x14



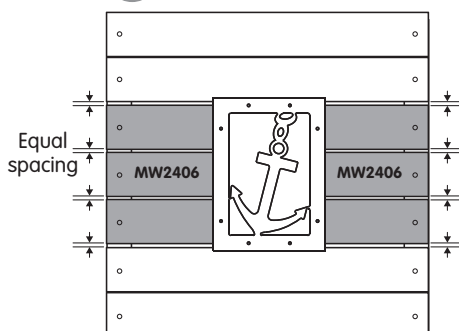
Assembly Tip

1

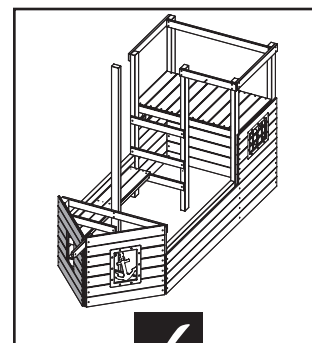


Fix MW2402 boards first.
Use window for spacing.

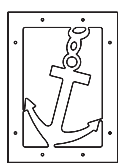
2



Space MW2406 boards
with equal gaps.
Use window for spacing.



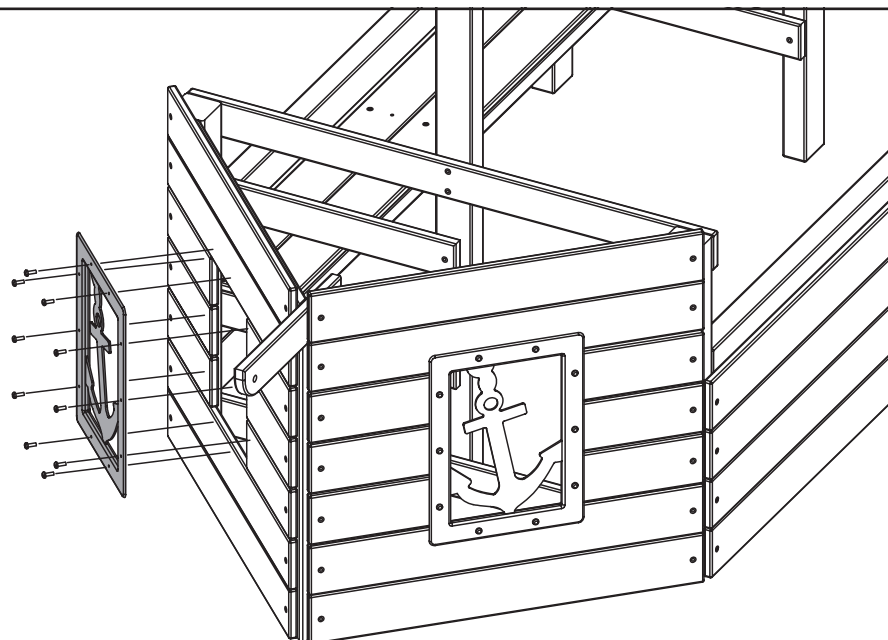
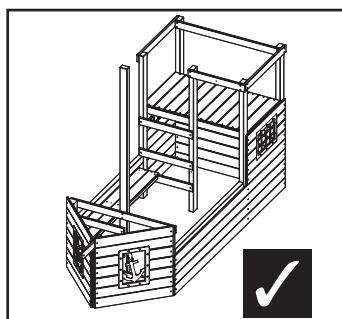
23


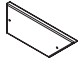
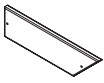
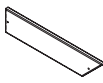
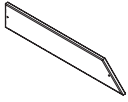



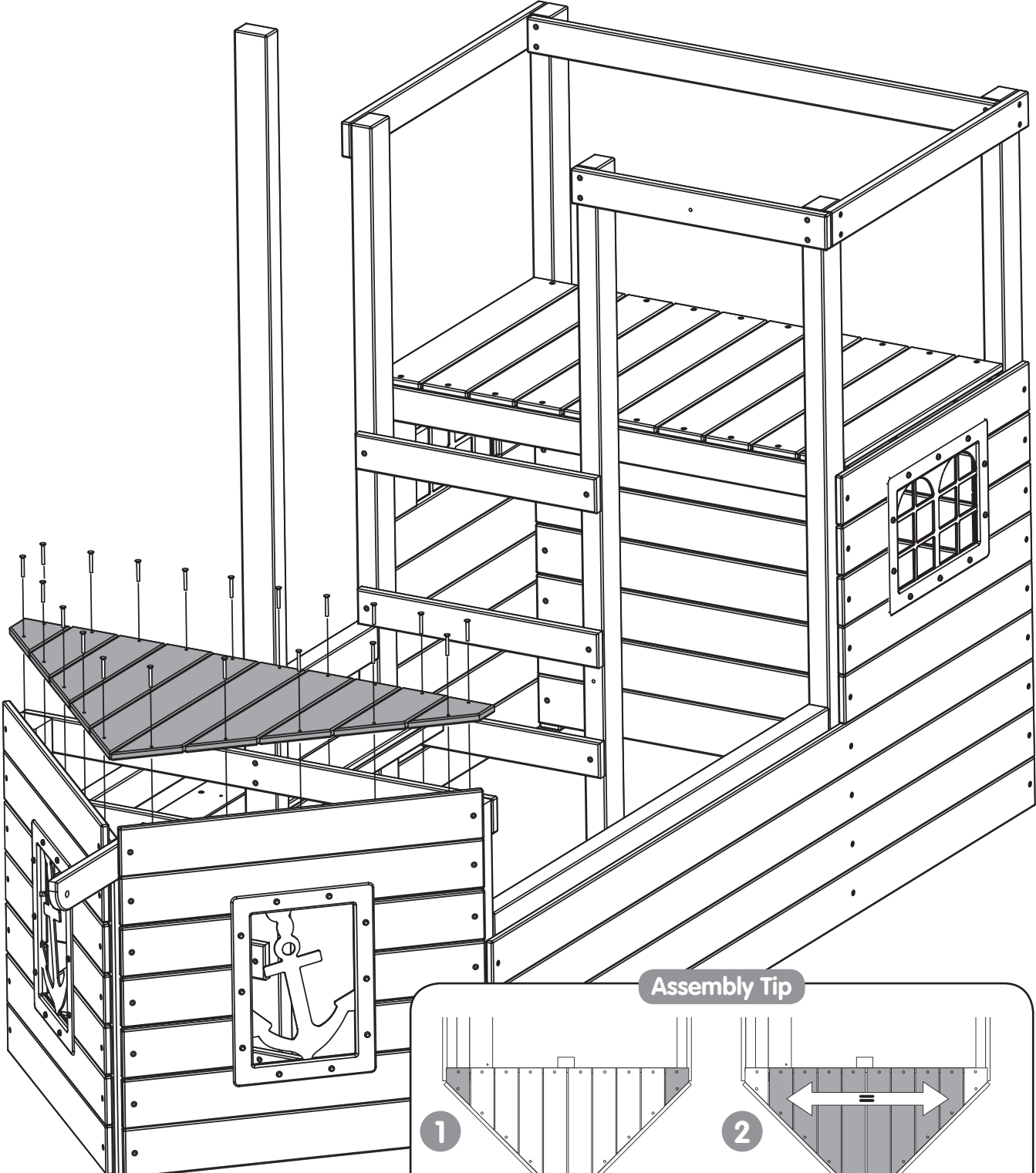
PM2086
Anchor Window
x1



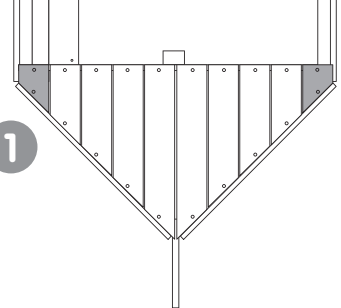
FA8274
5x15mm
x10



					
MW2427 x2	MW2428 x2	MW2429 x2	MW2430 x2	MW2431 x2	FA9767 5x40mm x20

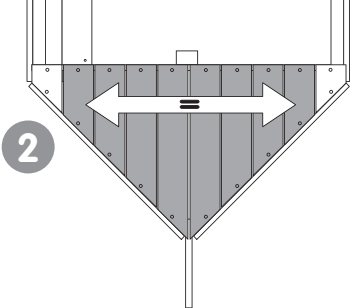


Assembly Tip



1

Fit the 2 ends boards first.
Use rest of boards for
spacing.



2

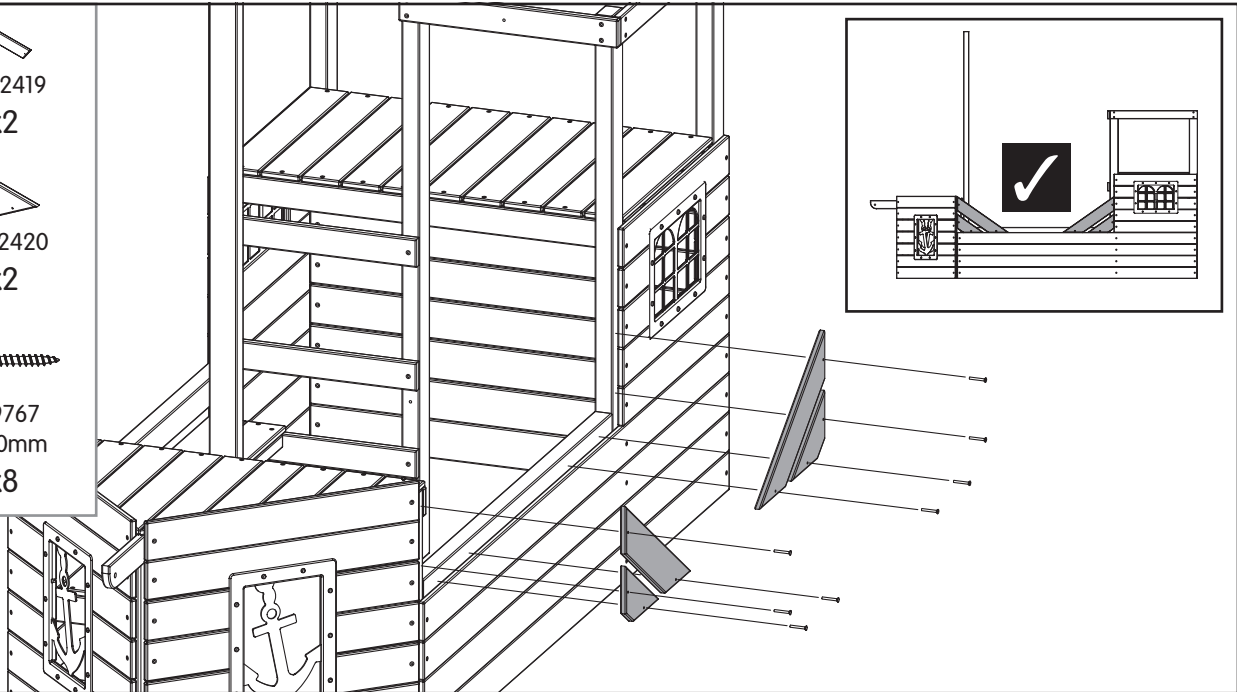
Fit rest of boards now with
equal spacing between boards.

25

MW2419
x2

MW2420
x2

FA9767
5x40mm
x8

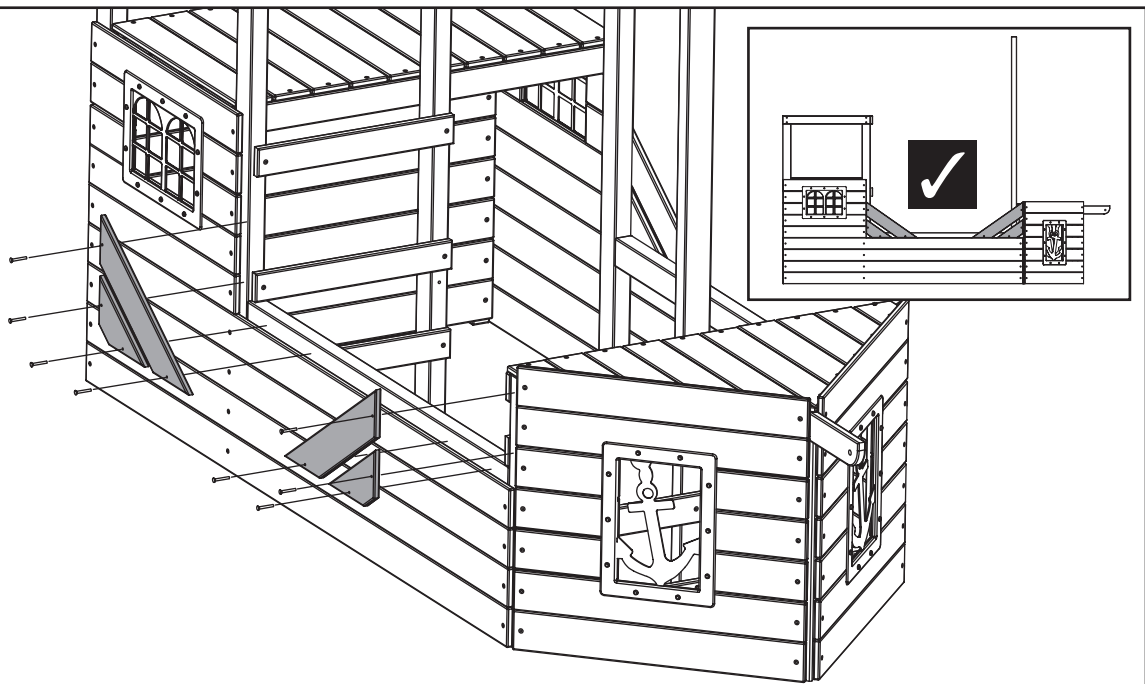


26

MW2419
x2

MW2420
x2

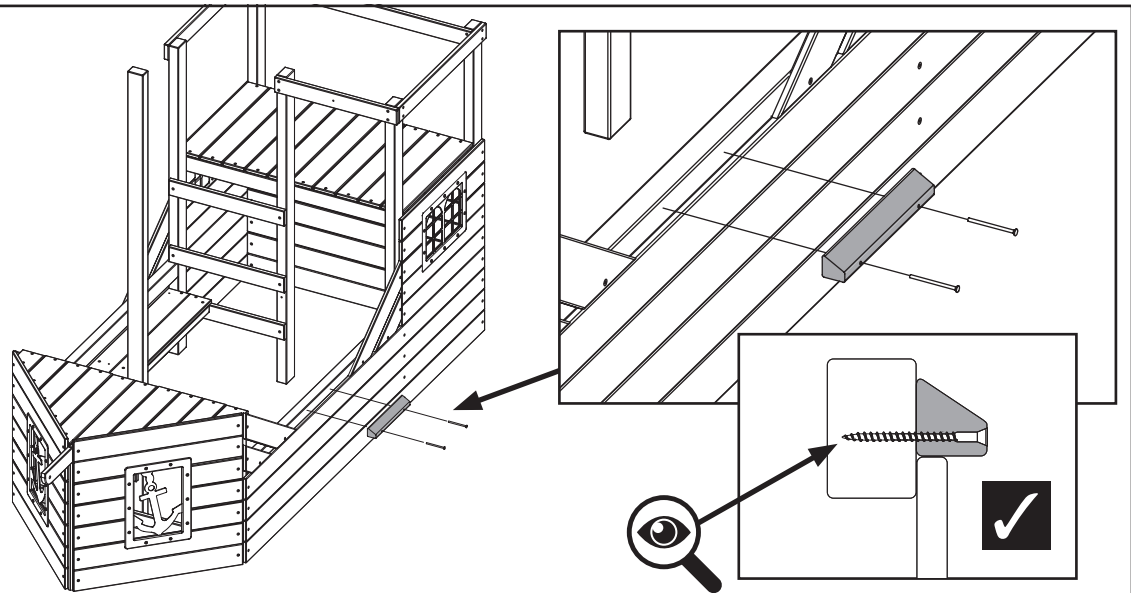
FA9767
5x40mm
x8



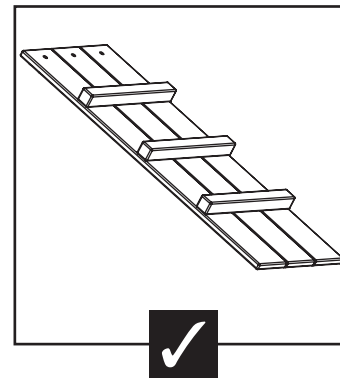
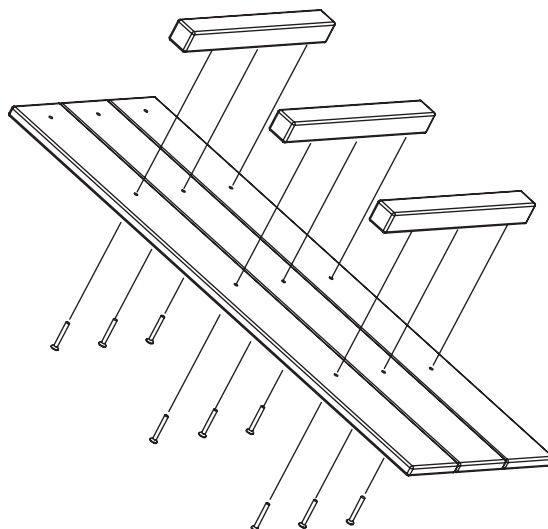
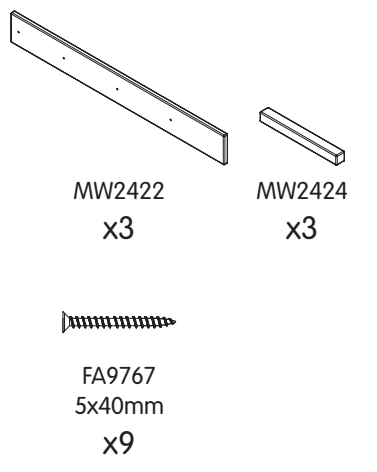
27

MW2423
x1

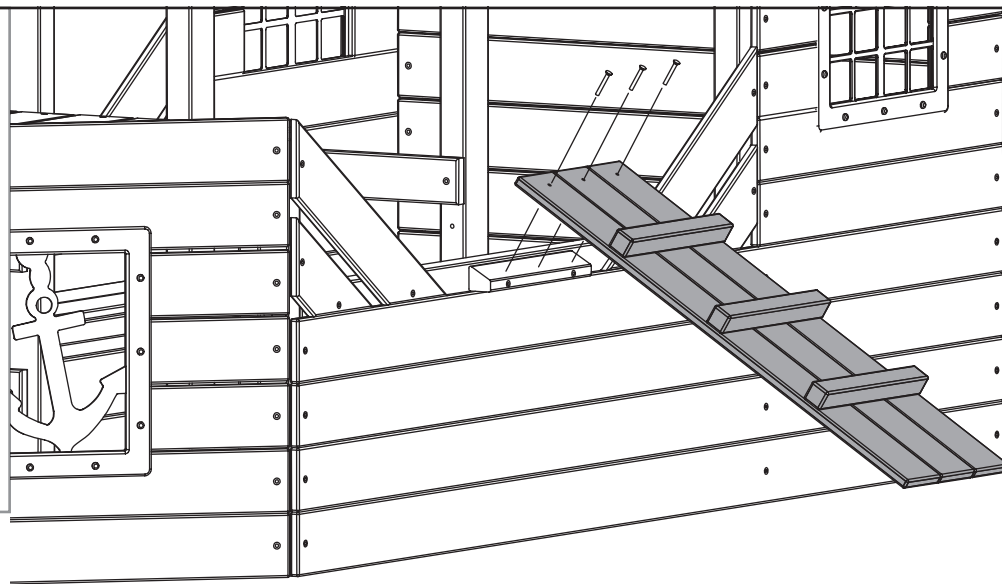
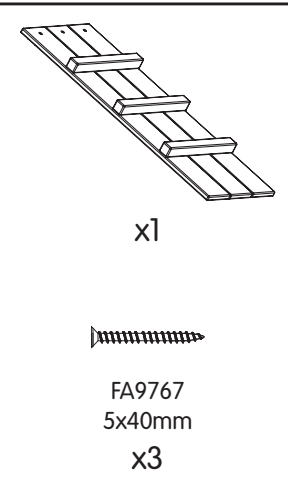
FA4521
5x80mm
x2



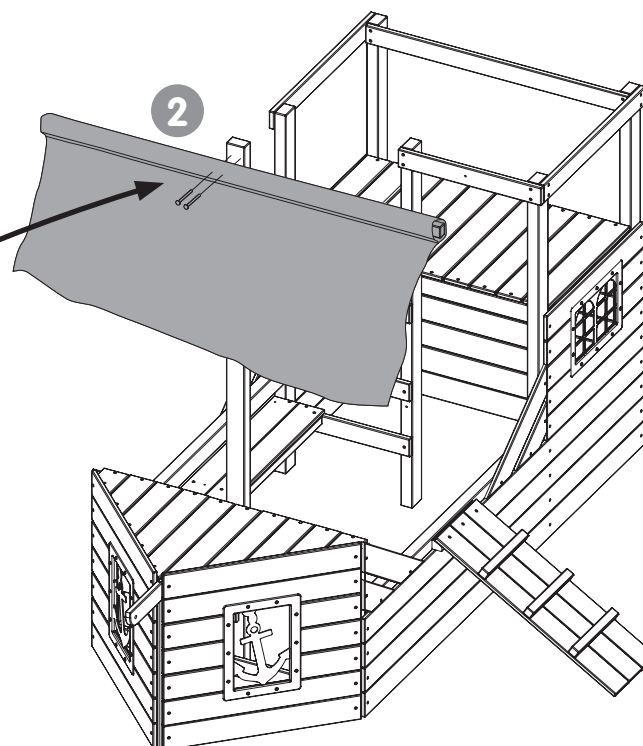
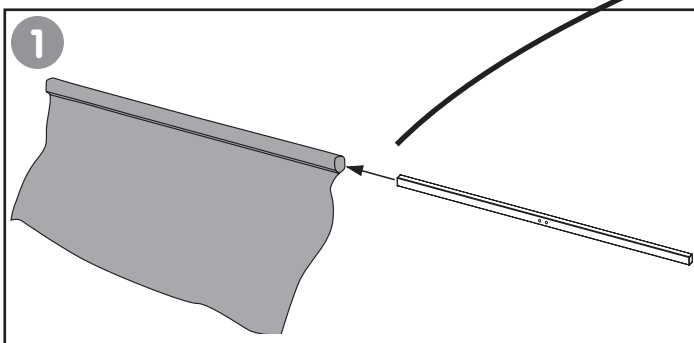
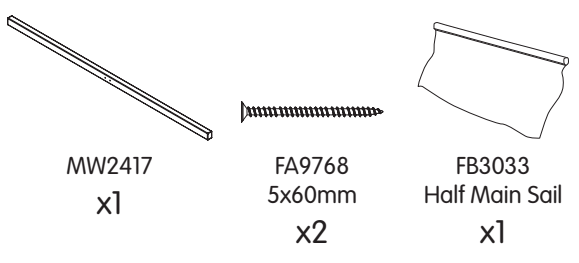
28



29



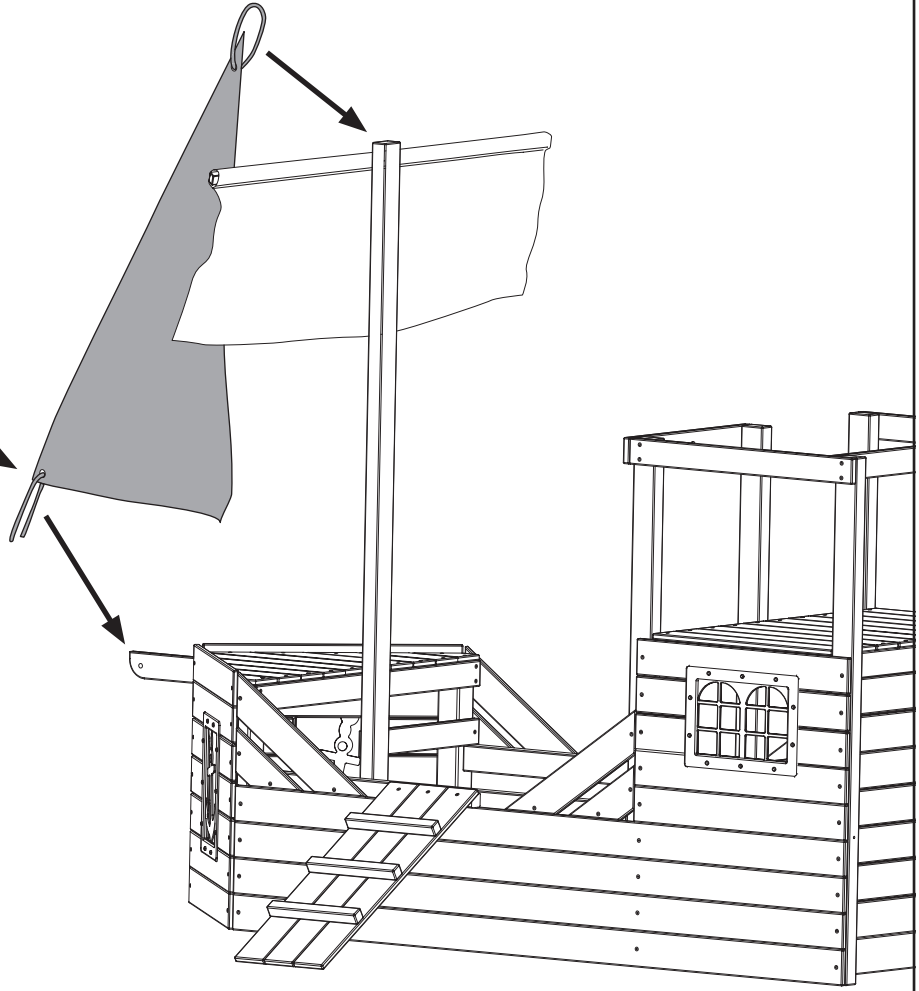
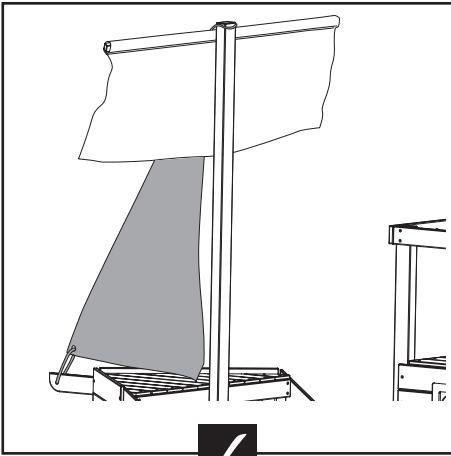
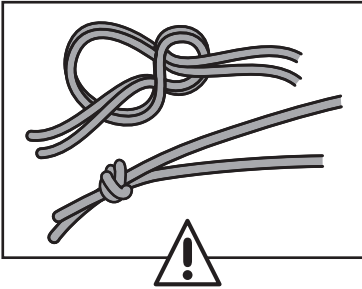
30



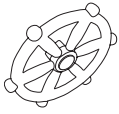
31



FB3035
Spinika Sail
x1



32



PM2089
Ship Wheel
x1



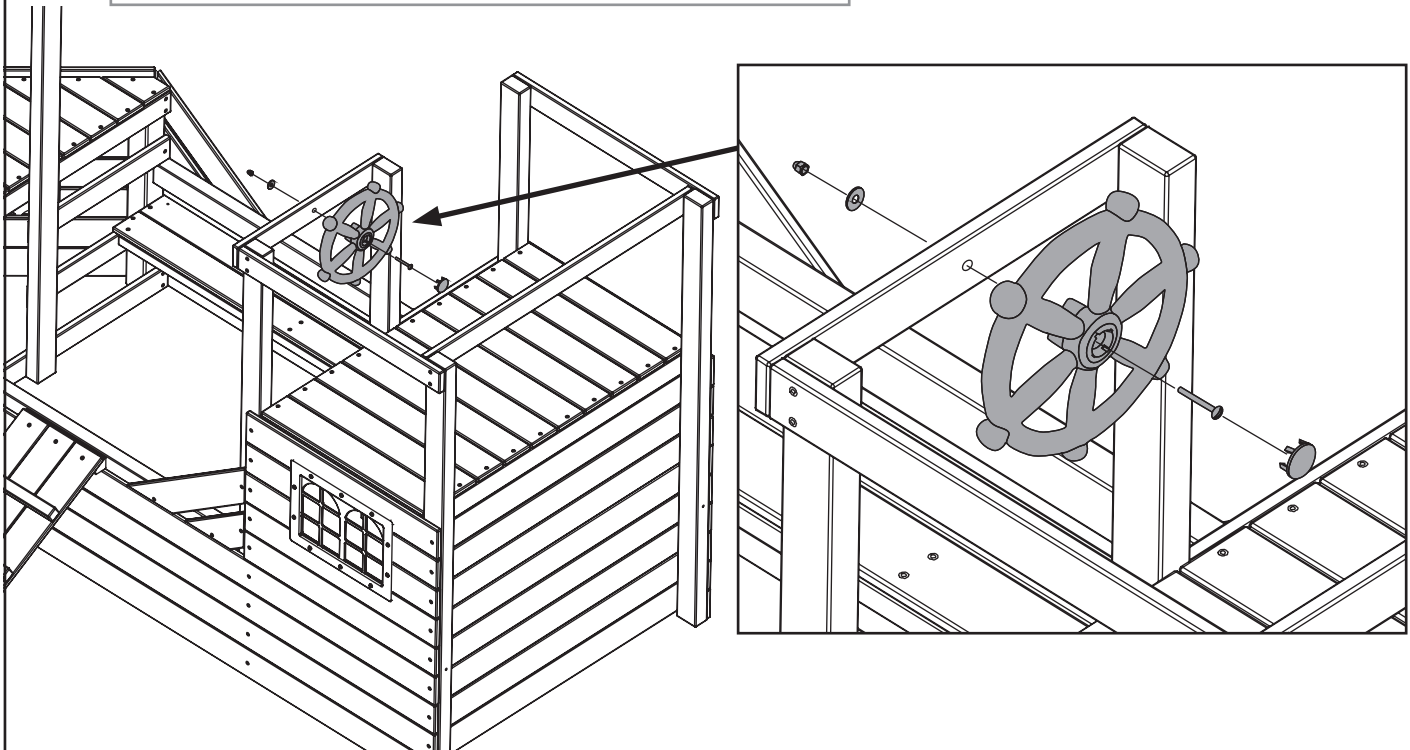
FA5167
M6x60
x1

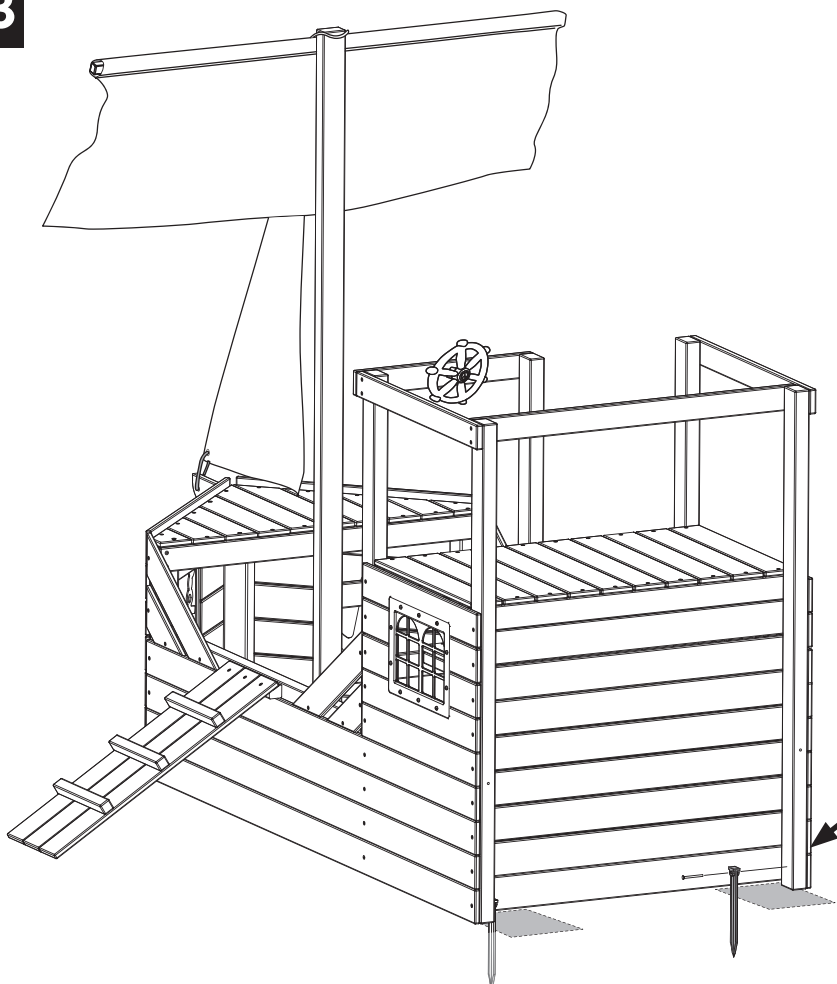


FA5095
M6x20mm
x1

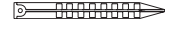


FA5192
M6 Dome Nut
x1

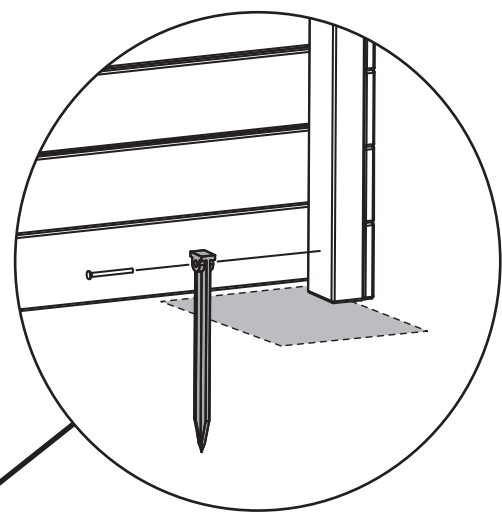




FA9768
5x60mm
x2



PM2001
Ground Peg
x2



1

Locate position of Pirate Galleon with Safe Play area around.

2

Mark base/ staking position then move Pirate Galleon.

3

Dig holes:
300mm x 300mm x 300mm deep.

4

Move Pirate Galleon back into position. Fix stakes to Pirate Galleon. Position stakes into ground holes.

5

Not Supplied.
Post-mix Concrete

Fill holes with Post-Mix concrete.

x2

Warning: Never set the base of the playset in concrete.



Thank you

Thank you for purchasing this product.

Please register your new product on line at tptoys.com

visit www.tptoys.com/customer/productregistration

Find out about the guarantee for this product,

visit www.tptoys.com/customer/pages/guaranteeinformation

For customer services and help with your product,

visit www.tptoys.com/customer/help

Your TP Guarantee Number/Product Batch No is